



## FEATURES

- ▼ Available in High Pressure Sodium (50-150 and 250 watts), Metal Halide (70--150, 175 and 250 watts), Pulse Start Metal Halide (200 and 250 watt) and Mercury Vapor (100, 175 & 250 watts) lamp types.
- ▼ Corrosion resistant housing in type 316 stainless steel or copper free aluminum.
- ▼ Tool less entry via six positive locking stainless steel latches with a one-piece high temperature silicone gasket provide a watertight seal.
- ▼ Supplied with a multi-tapped ballast in 120/208/240/277v AC 60Hz as standard.
- ▼ Stainless steel wire guard available with open bottom allowing access to the globe for easy relamping.
- ▼ Choice of angled or shallow dome reflectors.
- ▼ Field replaceable globe and gaskets.
- ▼ 5 year warranty.

## APPROVALS

- ▼ UL 844 - Hazardous Locations  
 Class I Division 2 Groups A, B, C & D  
 Class I Zone 2 Groups IIA, IIB, IIB + H2 and IIC
- ▼ UL 1598A - Marine Outside Type Saltwater
- ▼ Type 4X
- ▼ cULus
- ▼ ABS
- ▼ Conforms to IP 66

## APPLICATIONS

- ▼ Hazardous locations
- ▼ Offshore oil and gas exploration and production
- ▼ Petrochemical
- ▼ Water treatment
- ▼ Pulp and paper processing
- ▼ Corrosive Environments
- ▼ Marine and wet environments
- ▼ Salt and potash mines

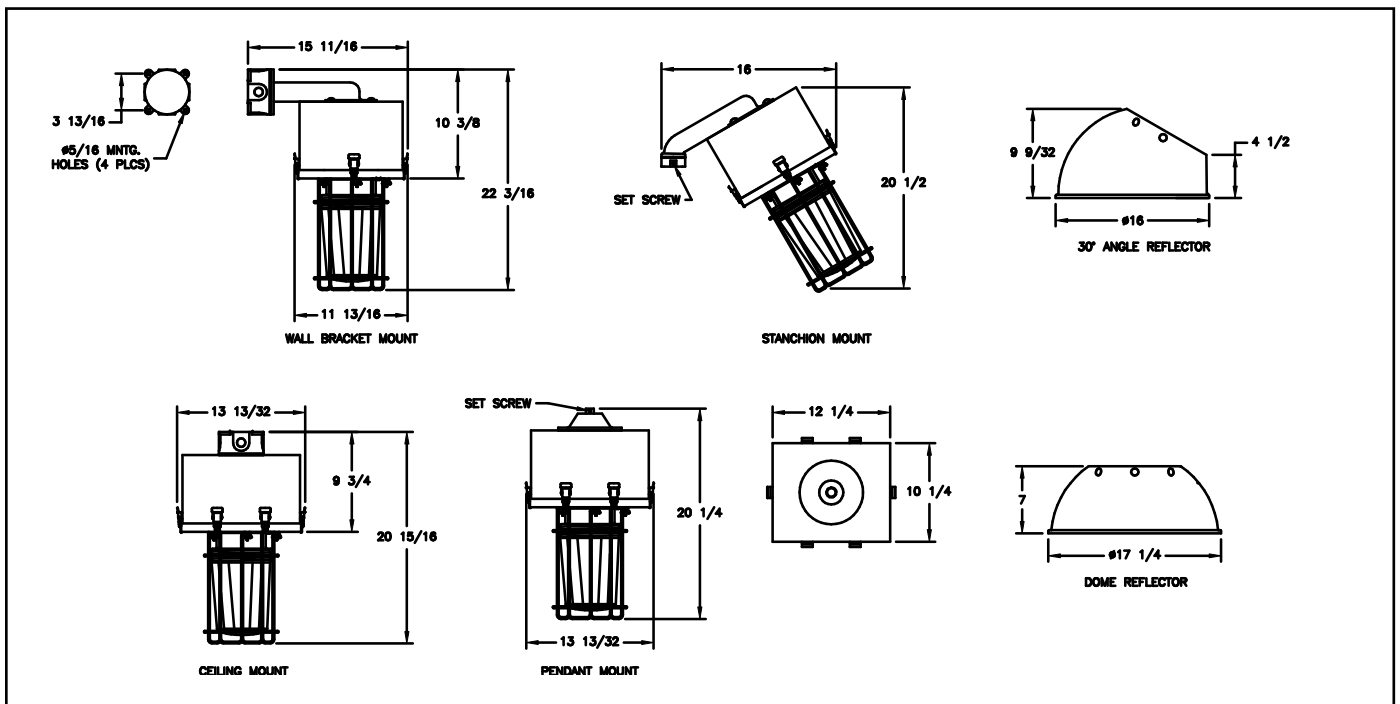
## OPTIONS

To obtain a luminaire with any of the options listed below, please add the following suffix to the part number (not all options can be combined):

- |  |     |
|--|-----|
| ▼ Instant Restrike (maximum 150 watts) | IR* |
| ▼ Fused Ballast                        | F** |
| ▼ 30° Angled Reflector                 | N   |
| ▼ Shallow Dome Reflector               | L   |
| ▼ Clear Globe                          | CG  |

\* Only available on High Pressure Sodium luminaires.  
 \*\* Not for marine application.

## DIMENSIONS



Dimensions in inches



**LUMINAIRE TECHNICAL SPECIFICATIONS**

**HOUSING**

Type 316 stainless steel with a natural finish and stainless steel mounting fittings or in copper free aluminum with a white oven-cured polyester powder coat protective finish and aluminum mounting fittings.

**GLOBE RETAINING RING AND LATCHES**

Stainless steel for all types.

**REFLECTORS**

Shallow dome or 30° angled reflector in fiber glass reinforced polyester with a white gloss finish.

**OUTLETS**

All units can be supplied with a wide range of sizes and number of outlets.

**GUARD**

Stainless steel wire guard optional.

**BALLAST**

A multi-tapped ballast offering 120/208/240/277v AC 60Hz versatility is standard. 480v AC 60Hz is available as an option.

**LAMP TYPE**

Available in mogul base High Pressure Sodium (HPS), Mercury Vapor (MV), which operate from -40° F, and Metal Halide (MH) and Pulse Start Metal Halide (PS), which operate from -20° F. Luminaires are supplied without lamps.

**GLOBE**

High impact and heat resistant internally fluted glass. A clear globe is also available as an option.

**GASKETS**

Two different one-piece high temperature silicone gaskets provide a watertight seal. One between the globe and base and the other between the housing and cover. Both gaskets are field replaceable.

**ORDERING REFERENCES**

HID LUMINAIRES									
<b>WORKED ORDERING EXAMPLE</b>		<b>1.</b>	<b>2.</b>	<b>3.</b>	<b>4.</b>	<b>5.</b>	<b>6.</b>	<b>7.</b>	<b>8.</b>
150w High Pressure Sodium, Mogul Base, 316 Stainless Steel, Pendant Mounted, multi tap ballast, with 316 stainless steel mounting accessories, stainless steel guard and 30° angled reflector.		ZLX	S	P3	S	15	G	MT	N
<b>1. LAMP TYPE</b>	<b>3. MOUNTING TYPES &amp; OUTLETS</b>	<b>4. MOUNTING MATERIALS</b>		<b>7. VOLTAGE</b>					
ZLX High Pressure Sodium	B2 1" Wall Mount 2 Way	A Copper Free Aluminum		-MT 120/208/240/277v					
ZMH Metal Halide	B3 3/4" Wall Mount 2 Way	S 316 Stainless Steel		60 Hz Multi-tapped					
ZMV Mercury Vapor	B4 3/4" Wall Mount 4 Way			-486 480v AC 60Hz					
ZPS Pulse Start Metal Halide	B5 1" Wall Mount 4 Way			*For 50Hz ballast options					
	C2 1" Ceiling Mount 2 Way			contact Pauluhn direct					
<b>2. Luminaire MATERIALS</b>	C3 3/4" Ceiling Mount 2 Way	<b>5. WATTAGE</b>		<b>8. OPTIONS</b>					
A Copper Free Aluminum	C4 3/4" Ceiling Mount 4 Way	50 50w (ZLX)		I R Instant Restrike*					
S 316 Stainless Steel	C5 1" Ceiling Mount 4 Way	70 70w (ZLX, ZMH)		(150 watt max)					
	P1 1" Pendant Mount	10 100w (ZLX, ZMH, ZMV)		F Fused Ballast**					
	P3 3/4" Pendant Mount	15 150w (ZLX, ZMH)		N 30° Angled Reflector					
	S 1 1/4" Stanchion Mount	17 175w (ZMH, ZPS, ZMV)		L Shallow Dome Reflector					
	S1 1 1/2" Stanchion Mount	20 200w (ZPS)		CG Clear Globe					
		25 250w (ZLX, ZMH, ZMV, ZPS)		* Only available on High Pressure Sodium Luminaires 150w max.					
		<b>6. GUARDS</b>		**Not for Marine Application					
		G Guard							

SPARE PARTS					
<b>MULTI TAP BALLASTS</b>	<b>LAMPS MOGUL BASE</b>	<b>PULSE START METAL HALIDE</b>		<b>MOUNT ALUMINUM (A) OR STAINLESS STEEL (S)</b>	
High Pressure Sodium	High Pressure Sodium			Pendant 1" INX7050P1A or S	
50w INX5118	50w INX3687			Pendant 3/4" INX7050P3A or S	
70w INX5116	70w INX3662	<b>BALLASTS</b>	<b>LAMP</b>	Ceiling 1" 2 Way INX7051C2A or S	
100w INX5113	100w INX3535	175w INX5244	INX 3732	Ceiling 3/4" 2 Way INX7051C3A or S	
150w INX5110	150w INX3651	200w INX5251	INX 3738	Ceiling 3/4" 4 Way INX7051C4A or S	
250W INX5176	250w INX3546	250W INX5245	INX3734	Ceiling 1" 4 Way INX7051C5A or S	
Mercury Vapor	Mercury Vapor			Stanchion 1 1/4" INX7053SA or S	
175w INX5130	175w INX3536			Stanchion 1 1/2" INX7053S1A or S	
250w INX5182	250w INX3537			Wall 1" 2 Way INX7052B2A or S	
Metal Halide	Metal Halide			Wall 3/4" 2 Way INX7052B3A or S	
70w INX5135	70w INX3683			Wall 3/4" 4 Way INX7052B4A or S	
100w INX5133	100w INX3682			Wall 1" 4 Way INX7052B5A or S	
175w INX5130	175w INX3551				
250w INX5182	250w INX3541				
		<b>GASKETS</b>			
		Housing		GKT6089-41	
		Globe Base		GKT3021-1	
<b>REFLECTORS</b>	30° Angled Reflector	INX4567		<b>LAMP HOLDERS</b>	
	Shallow Dome Reflector	INX4568		High Pressure Sodium INX4004	
				Mercury Vapor, Metal Halide & Pulse Start Metal Halide INX4100	
<b>GLOBES</b>	Fluted INX2136	Clear	INX2020HR	<b>GUARD</b>	
				INX1059	