



FEATURES

- ▼ Available in High Pressure Sodium (50-100 watt), Metal Halide (100 watt), or Mercury Vapor (100 watt).
- ▼ Corrosion resistant housing in type 316 stainless steel or copper free aluminum.
- ▼ Tool less entry via four stainless steel positive locking latches with a one-piece high temperature silicone gasket provide a watertight seal.
- ▼ HID luminaires supplied in multi-tapped 120/208/240/277v 60Hz as standard. Also available in 480v 60Hz.
- ▼ Shallow dome reflectors available.
- ▼ Field replaceable globe and gaskets.
- ▼ 5 year warranty.

APPROVALS

- ▼ UL 844 - Hazardous Locations
 Class I Division 2 Groups A, B, C & D
 Class I Zone 2 Groups IIA, IIB, IIB + H2 and IIC
- ▼ UL 1598A - Marine Outside Type Saltwater
- ▼ Type 4X
- ▼ ABS
- ▼ Conforms to IP 66

APPLICATIONS

- ▼ Hazardous locations
- ▼ Offshore oil and gas exploration and production
- ▼ Petrochemical
- ▼ Water treatment
- ▼ Pulp and paper processing
- ▼ Corrosive environments
- ▼ Marine and wet environments
- ▼ Salt and potash mines

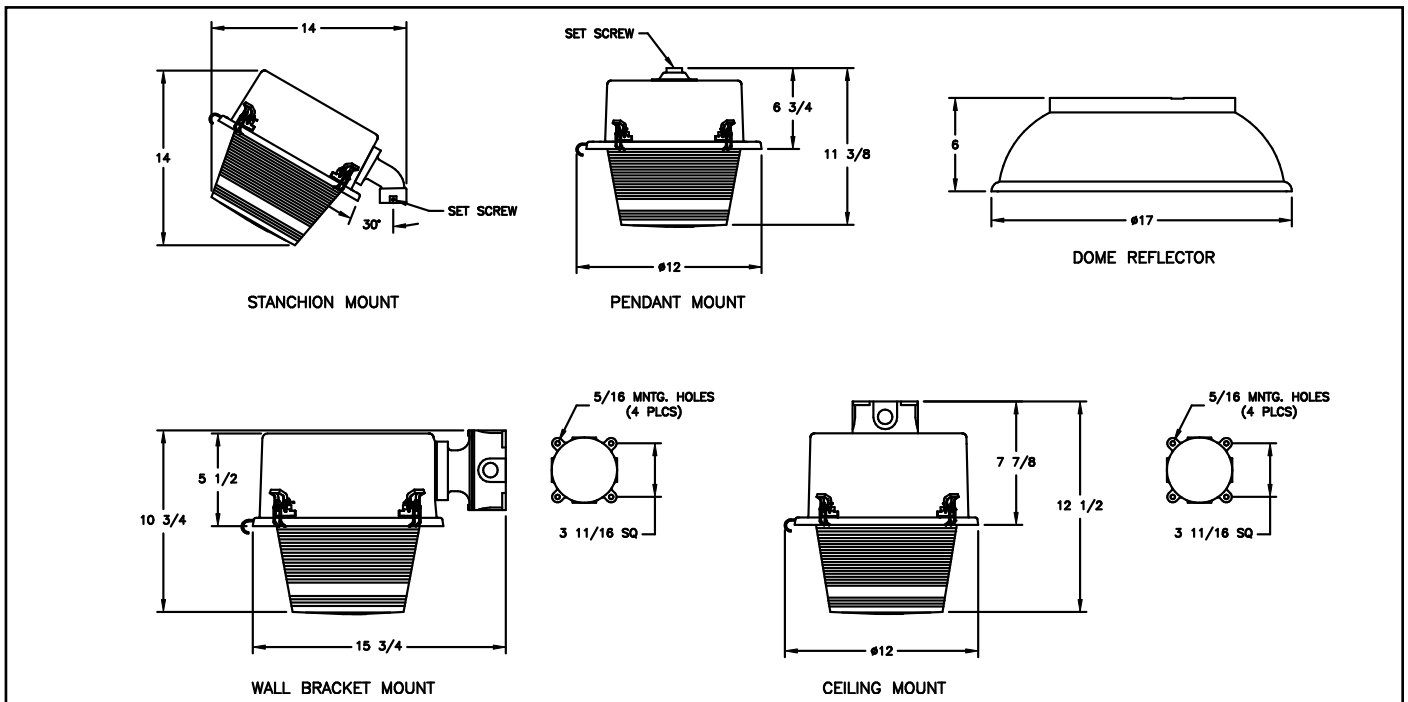
OPTIONS

To obtain a luminaire with any of the options listed below, please add the following suffix to the part number (not all options can be combined):

- | | |
|------------------------------------|----|
| ▼ Glass Refractor Globe | GG |
| ▼ Instant Restrike (LX units only) | IR |
| ▼ Fused Ballast | F* |
| ▼ Shallow Dome Reflector | L |

* Not for marine applications.

DIMENSIONS



Dimensions in inches



**HAZARDOUS LOCATIONS CLASS I DIVISION 2 /ZONE 2
HID MOGUL BASE LUMINAIRE**

LUMINAIRE TECHNICAL SPECIFICATIONS

HOUSING

Type 316 stainless steel with a natural finish and stainless steel mounting fittings or in copper free aluminum with a white oven-cured polyester powder coat protective finish and aluminum mounting fittings.

GLOBE RETAINING RING AND LATCHES

Stainless steel for all types.

REFLECTORS

Shallow dome reflector in ABS with UV Stabilized Korad in white gloss finish.

OUTLETS

All units can be supplied with a wide range of sizes and number of outlets.

GLOBE

High impact and heat resistant fluted polycarbonate or glass. A clear polycarbonate globe is also available as an option.

BALLAST

A multi-tapped ballast offering 120/208/240/277v AC 60Hz versatility is standard. 480v AC 60Hz is available as an option.

LAMP TYPE

Available in mogul base High Pressure Sodium (HPS), Mercury Vapor (MV), which operate from -40° F, and Metal Halide (MH), which operates from -20° F. Luminaires are supplied without lamps.

GASKETS

A one-piece high temperature silicone gasket provides a watertight seal between the lens frame and housing. The gaskets are field replaceable.

ORDERING REFERENCES

HID LUMINAIRES								
WORKED ORDERING EXAMPLE		1.	2.	3.	4.	5.	6.	7.
100w High Pressure Sodium, Mogul Base, 316 Stainless Steel, 3/4" Pendant Mounted, Multi-tap Luminaire, with a polycarbonate refractor globe and instant restrrike.		LX	S	P3	R	10	MT	IR
1. LAMP TYPE		3. MOUNTING TYPES & OUTLETS		4. GLOBES		7. OPTIONS		
LX High Pressure Sodium		B2 1" Wall Mount 2 Way	R Polycarbonate Refractor Globe	I R Instant Restrike*		F Fused Ballast**		
MH Metal Halide		B3 3/4" Wall Mount 2 Way	X Polycarbonate Clear Globe	L Shallow Dome Reflector		* Only available on High Pressure Sodium Luminaires		
MV Mercury Vapor		B4 3/4" Wall Mount 4 Way	GG Glass Refractor Globe	** Not for Marine Application				
		B5 1" Wall Mount 4 Way						
2. LUMINAIRE MATERIALS		C2 1" Ceiling Mount 2 Way	5. WATTAGE					
A Copper Free Aluminum		C3 3/4" Ceiling Mount 2 Way	50 50w (LX)					
S 316 Stainless Steel		C4 3/4" Ceiling Mount 4 Way	70 70w (LX)					
		C5 1" Ceiling Mount 4 Way	10 100w (LX, MH, MV)					
		P1 1" Pendant Mount	6. VOLTAGE					
		P3 3/4" Pendant Mount	MT 120/208/240/277v					
		S 1 1/4" Stanchion Mount	60Hz Multi-tapped					
		S1 1 1/2" Stanchion Mount	48 480v AC 60Hz					
Note: For 50Hz ballast options contact factory								

SPARE PARTS			
BALLASTS	LAMPS	LAMP HOLDERS	REFLECTORS
High Pressure Sodium	High Pressure Sodium	All Types	Shallow Dome Reflector
50w INX5118	50w INX3687	INX4100	INX4567
70w INX5116	70w INX3662		
100w INX5113	100w INX3535		
Mercury Vapor	Mercury Vapor (MV)		
100w INX5141	100w INX3538		
Metal Halide	Metal Halide		
100w INX5133	100w INX3682		
GLOBES		MOUNT ALUMINUM (A) OR STAINLESS STEEL (S)	
Glass Refractor	INX2184	Pendant 1"	INX7050P1A or S
Polycarbonate Refractor Globe	INX2169	Pendant 3/4"	INX7050P3A or S
Polycarbonate Clear Globe	INX2181	Ceiling 1" 2 Way	INX7051C2A or S
		Ceiling 3/4" 2 Way	INX7051C3A or S
		Ceiling 3/4" 4 Way	INX7051C4A or S
		Ceiling 1" 4 Way	INX7051C5A or S
		Stanchion 1 1/4"	INX7055SA or S
		Stanchion 1 1/2"	INX7055S1A or S
		Wall 1" 2 Way	INX7056B2A or S
		Wall 3/4" 2 Way	INX7056B3A or S
		Wall 3/4" 4 Way	INX7056B4A or S
		Wall 1" 4 Way	INX7056B5A or S