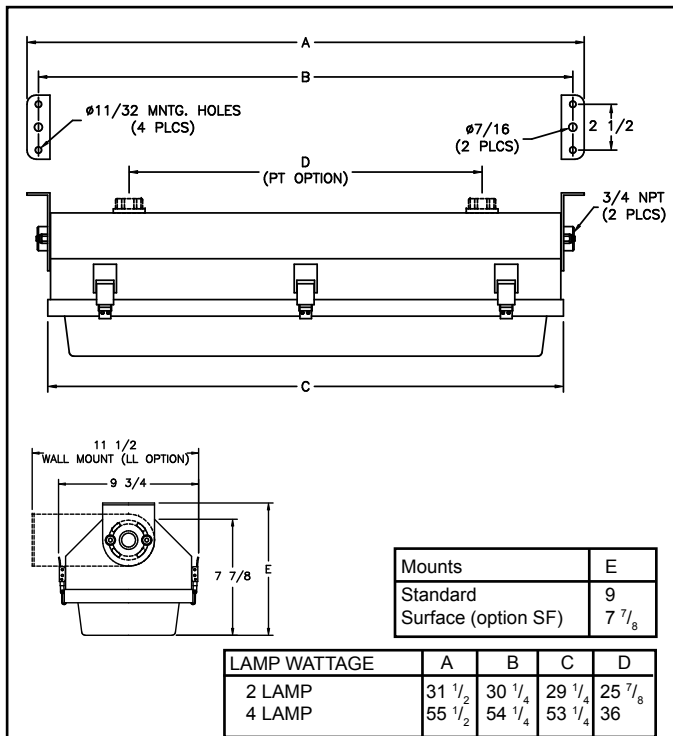




FEATURES

- ▼ Positive-locking spring loaded stainless steel latches and a one piece neoprene gasket provide a watertight seal.
- ▼ Spring loaded lampholders for maximum vibration resistance.
- ▼ Available in two and four lamp units.
- ▼ Supplied in 120v 60Hz HPF as standard. Other options in 220v 50Hz, 220v 60Hz and 277v 60Hz also available.
- ▼ Versions available in 40w and 55w compact fluorescent.
- ▼ Adjustable mounting brackets allow a 110° range of mounting positions.
- ▼ Low temperature operating ballast.
- ▼ Emergency versions available (CSA only).
- ▼ 5 year warranty.

DIMENSIONS



Dimensions in inches

APPROVALS

- ▼ UL 844 - Hazardous Location
 Class I Division 2 Groups A, B, C and D
 Class I Zone 2 Groups IIA, IIB, IIB+ H2 and IIC
- ▼ UL 1598A - Marine Outside Type Saltwater
- ▼ CSA
 Class I Division 2, Groups A, B, C and D
 Class II Division I, Groups E, F and G
 Class III
- ▼ IP 66
- ▼ Type 4X
- ▼ ABS

APPLICATIONS

- ▼ Hazardous Locations
- ▼ Marine and wet environments
- ▼ Offshore oil and gas exploration and production
- ▼ Salt and potash mines
- ▼ Water treatment facilities
- ▼ Industrial wash pits
- ▼ Salt and potash mines
- ▼ Petrochemical

OPTIONS

To obtain a luminaire with any of the options listed below, please add the following suffix to the part number (not all options can be combined):

- ▼ 316 Grade Stainless Steel Housing /316
- ▼ Terminal Block T
- ▼ Shock Mount SM
- ▼ Surface Mount SF
- ▼ Wall Mount LL
- ▼ Pendant Mount 3/4" NPT PT
- ▼ Polycarbonate drop lens X
- ▼ Dual Safety Cable Attachment Points W
- ▼ Emergency Ballast (1 lamp) EM*
- ▼ Fused Ballast (not for marine use) F
- ▼ 120-277 50/60Hz (17, 24, 32 & 54w) -127
- ▼ 220VAC 50Hz -225
- ▼ 220VAC 60Hz -226
- ▼ 277VAC 60Hz -276

* CSA only.



LUMINAIRE TECHNICAL SPECIFICATIONS

HOUSINGS

Available in stainless steel with a natural finish and stainless steel mounting fittings or in copper free aluminum with an oven-cured polyester powder coat finish and aluminum mounting fittings with a natural finish. Ensure the suffix "A" appears in the ordering reference for aluminum luminaires and "S" for stainless steel, or "/316" for 316 grade stainless steel.

LENS FRAME AND LATCHES

Stainless steel for all types.

LENS

High impact resistant DR acrylic drop lens.

REFLECTOR

White high gloss powder coated aluminum.

OUTLETS

All units are supplied with two 3/4" NPT outlets, one plugged, providing a thru-feed service where required.

MOUNTINGS

Through (4) \varnothing 1 1/32" or (2) \varnothing 7/16" mounting holes provided on the adjustable brackets.

GASKETS

One piece neoprene gasket provides a watertight seal between the lens and housing.

BALLAST

A High Power Factor (HPF) 120v 60Hz ballast is supplied as standard, rated for starting in temperatures down to -18° C (0° F). Other voltage options and emergency ballasts also available. All ballast electronic with the exception of 20w T12. Magnetic ballasts are available, please contact factory.

LAMP TYPE

All luminaires supplied with lamps.

AMBIENT & OPERATING TEMPERATURE

40w and 55w versions rated at 40°C ambient temperature. 40w two and four lamp versions temperature code T4A. 55w two and four lamp versions temperature code T3.

ORDERING REFERENCES

COMPACT FLUORESCENT LUMINAIRES						
DESCRIPTION	NO OF LAMPS	LAMP TYPE	FWC ALUMINIUM	WT (lbs) ALUMINIUM	FWC SS	WT (lbs) SS
40w	Two	F40BX	FWC240A	15.6	FWC240S	21.4
	Four		FWC440A	24.2	FWC440S	35.0
55w	Two	F55BX	FWC255A	15.6	FWC255S*	21.4
	Four		FWC455A	24.2	FWC455S*	35.0

* CSA only.

SPARE PARTS		
BALLASTS 120V AC 60HZ 2 x 40w FX5272 2 x 55w FX5276	LAMPS 40w FX3533 55w FX3547	DROP LENS 29 1/4" FX2136 53 1/4" FX2137
EMERGENCY BALLAST 120-277v AC FX5128HDU	LAMP HOLDERS FX4043	GASKETS 29 1/4" GKT6088-69.5 53 1/4" GKT6088-117.5
BEAM CLAMP KIT (Safety Cable & Cord Connector) FX7028	MOUNTS Wall FX7031S/A Standard FX7027S/A Surface FX7022S/A Pipe Mount Kit FX7023 Chain Mount Kit FX7025 Shock Mount FX7004A	