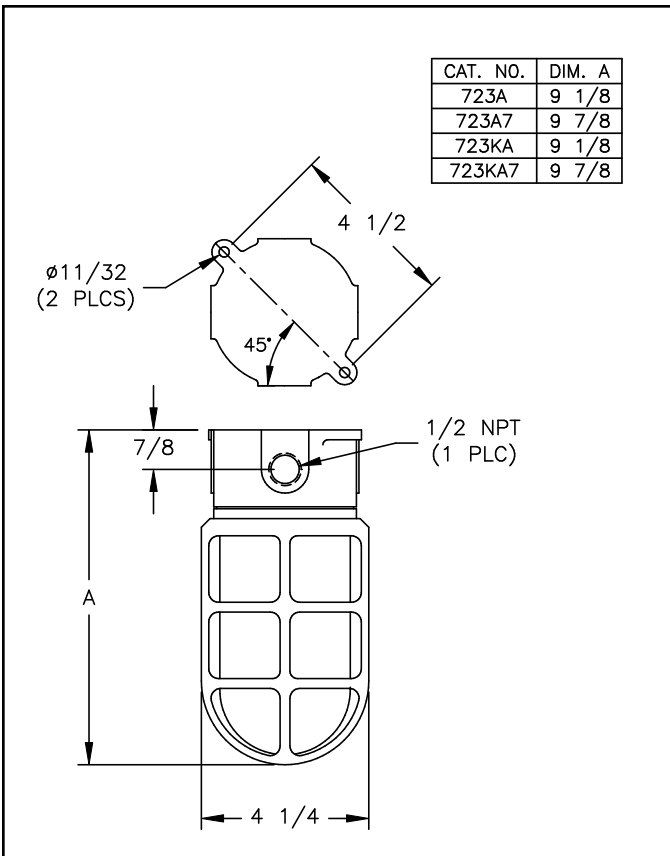




### FEATURES

- ▼ Surface ceiling mount luminaire with a choice of 100w or 150w incandescent lamps.
- ▼ Choice of corrosion resistant housings in cast marine brass or copper free aluminum.
- ▼ Supplied with a high-impact natural heavy cast marine brass or copper free aluminum protective guard (except where polycarbonate globes are requested).
- ▼ Supplied with clear glass globe as standard with a choice of colored lens in yellow, green, red and blue.
- ▼ 5 year warranty.

### DIMENSIONS



Dimensions in inches

### APPROVALS

- ▼ UL 1598A - Marine Outside Type Saltwater
- ▼ ABS
- ▼ Conforms to IP 66

### APPLICATIONS

- ▼ Marine and wet environments
- ▼ Offshore oil and gas platforms
- ▼ Drill ships and exploration vessels
- ▼ Tankers
- ▼ Gantry and walkway lighting

### OPTIONS

To obtain a luminaire with any of the options listed below, please add the following suffix to the part number (not all options can be combined):

- |  |     |
|--|-----|
| ▼ Porcelain Lampholder                     | P   |
| ▼ Shockproof Lampholder                    | SP  |
| ▼ Double Pole Toggle Switch                | K   |
| ▼ Terminal Block (4 pole)                  | T   |
| ▼ Terminal Block (6 pole)                  | T6  |
| ▼ Frosted Globe                            | FST |
| ▼ Polycarbonate Globe (guard not provided) | PG* |
| ▼ Red Globe                                | RED |
| ▼ Blue Globe                               | BLU |
| ▼ Green Globe                              | GRN |
| ▼ Yellow Globe                             | YEL |
| ▼ Heat Resistant Clear Glass Globe         | HR  |

\* 100w incandescent only.



**LUMINAIRE TECHNICAL SPECIFICATIONS**

**HOUSING**

Available in cast marine brass or copper free aluminum.

**GUARD**

High impact protective guard in cast marine brass or copper free aluminum supplied with luminaire except where polycarbonate globes are requested.

**OUTLETS**

All units are supplied drilled and tapped with one 1/2" NPT outlet. Other drilling and tapping options up to a maximum of 3/4" NPT four way available.

**LAMPHOLDER**

A phenolic lampholder with a nickel plated copper screw shell is supplied.

**GASKETS**

One piece silicone gasket provides a watertight seal between the lens and housing.

**OPERATING VOLTAGE**

All luminaires are rated up to 300v AC.

**LAMP TYPE**

The luminaire is suitable for lamps of 100w or 150w incandescent. All luminaires are supplied without lamps.

**GLOBE**

A clear glass globe is provided as standard in 6" for 100w luminaires and 7" for 150w. Colored globes are available in red, blue, green and yellow.

**SWITCH**

A double pole toggle switch with a watertight boot is available as an option.

**ORDERING REFERENCES**

INCANDESCENT LUMINAIRES				
DESCRIPTION	LAMP SIZE	MARINE BRASS WEIGHT (lbs)	MARINE BRASS TYPE (B)	ALUMINUM TYPE (A)
Incandescent	100w max	6.4	723B	723A
Incandescent	150w max	6.7	723B7	723A7

SPARE PARTS				
<b>LAMPHOLDERS</b>			<b>LAMP</b>	
Phenolic	INX4000		100w A-19	INX3528
Porcelain	INX4000P		150w A-21	INX3543
Shockproof	INX4000SP			
<b>GUARDS</b>			<b>GASKETS</b>	
6" 100w Fixtures	Marine Brass INX1036B Aluminum INX1036A		Globe	GKT2002SIL
7" 150w Fixtures	Marine Brass INX1037B Aluminum INX1037A		Junction Box	GKT2003SIL
<b>GLOBES</b>			<b>DOUBLE POLE TOGGLE SWITCH</b>	
<b>6" 100w LUMINAIRES</b>				INX3012
	Clear INX2006CLR		<b>WATERTIGHT SWITCH BOOT</b>	
	Green INX2006GRN			GKT8000
	Blue INX2006BLU			
	Red INX2006RED			
	Yellow INX2006YEL			
	Frosted INX2006FST			
	Clear HR INX2006HR			
<b>7" 150w Fixtures</b>				
	Clear INX2007CLR			
	Green INX2007GRN			
	Blue INX2007BLU			
	Red INX2007RED			
	Yellow INX2007YEL			
	Frosted INX2007FST			
	Clear HR INX2007HR			