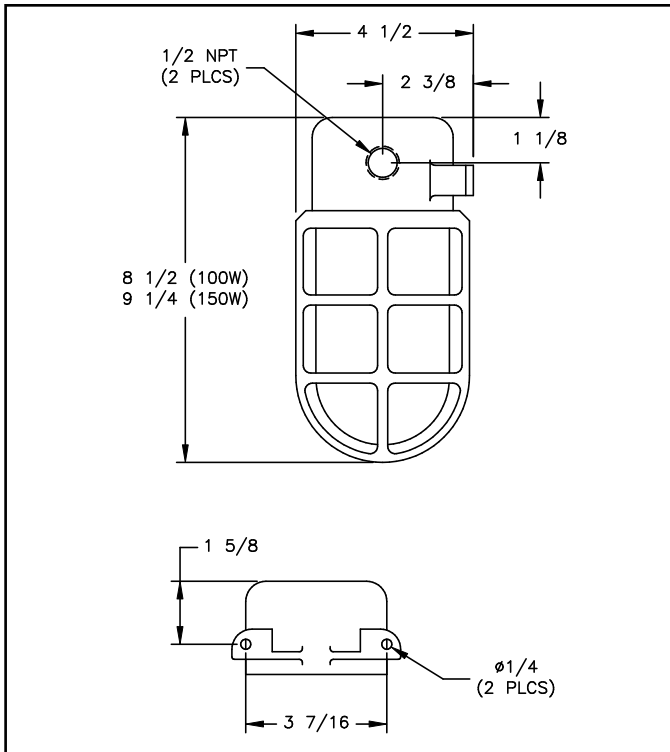




### FEATURES

- ▼ Wall luminaire with a choice of 100w or 150w incandescent lamps.
- ▼ Choice of corrosion resistant housings in rugged cast marine brass or copper free aluminum.
- ▼ Supplied with a cast marine brass or copper free aluminum protective guard (except where polycarbonate globes are requested).
- ▼ Supplied with clear glass globe as standard with a choice of colored lens in yellow, green, red, blue or frosted.
- ▼ 5 year warranty.

### DIMENSIONS



Dimensions in inches

### APPROVALS

- ▼ UL 1598A - Marine Outside Type Saltwater
- ▼ ABS
- ▼ Conforms to IP 66

### APPLICATIONS

- ▼ Marine and wet environments
- ▼ Offshore oil and gas platforms
- ▼ Drill ships and exploration vessels
- ▼ Tankers
- ▼ Deck Lighting
- ▼ Gantry and walkway lighting

### OPTIONS

To obtain a luminaire with any of the options listed below, please add the following suffix to the part number (not all options can be combined):

- |  |     |
|--|-----|
| ▼ Porcelain Lampholder                     | P   |
| ▼ Shockproof Lampholder                    | SP  |
| ▼ Double Pole Toggle Switch                | K   |
| ▼ Frosted Globe                            | FST |
| ▼ Polycarbonate Globe (guard not provided) | PG* |
| ▼ Heat Resistant Clear Glass Globe         | HR  |
| ▼ Red Globe                                | RED |
| ▼ Blue Globe                               | BLU |
| ▼ Green Globe                              | GRN |
| ▼ Yellow Globe                             | YEL |

\* 100w incandescent only.

**MARINE, OUTSIDE AND CORROSIVE ENVIRONMENTS  
VAPOR AND WATERTIGHT  
INCANDESCENT WALL MOUNT FIXTURE**



**LUMINAIRE TECHNICAL SPECIFICATIONS**

**HOUSING**

Available in cast marine brass or copper free aluminum.

**GUARD**

High impact protective guard in cast marine brass or copper free aluminum supplied with luminaire except where polycarbonate globes are requested.

**OUTLETS**

All units are supplied drilled and tapped with two 1/2" NPT outlet as standard. Other drilling and tapping options up to a maximum of 3/4" NPT available.

**GASKETS**

One piece silicone gasket provides a watertight seal between the lens and housing.

**HARDWARE**

Stainless steel.

**LAMPHOLDER**

A phenolic lampholder with a nickel plated copper screw shell is supplied as standard.

**OPERATING VOLTAGE**

All luminaires are rated up to 300v AC.

**LAMP TYPE**

The luminaire is suitable for lamps of 100w or 150w incandescent. Luminaires are supplied with out lamps.

**GLOBE**

A clear glass globe is provided as standard in 6" for 100w luminaires and 7" for 150w. Colored globes are available in red, blue, green and yellow.

**SWITCH**

A double toggle pole switch and a watertight boot is available as an option.

**ORDERING REFERENCES**

INCANDESCENT LUMINAIRES				
DESCRIPTION	LAMP SIZE	MARINE BRASS WEIGHT (lbs)	MARINE BRASS TYPE (B)	ALUMINUM TYPE (A)
Incandescent	100w max A-19	5.0	733B	733A
Incandescent	150w max A-21	5.0	733B7	733A7

SPARE PARTS					
<b>LAMPHOLDERS</b>			<b>LAMP</b>	100w A-19	INX3528
Phenolic	INX4000		150w A-21	INX3543	
Porcelain	INX4000P				
Shockproof	INX4000SP		<b>GLOBE GASKET</b>	GKT2002SIL	
<b>GUARDS</b>			<b>DOUBLE POLE TOGGLE SWITCH</b>	INX3012	
6" 100w Fixtures			<b>WATERTIGHT SWITCH BOOT</b>	GKT8000	
Marine Brass	INX1036B				
Aluminum	INX1036A				
7" 150w Fixtures					
Marine Brass	INX1037B				
Aluminum	INX1037A				
<b>GLASS GLOBES</b>			<b>7" 150w Fixtures</b>		
6" 100w Luminaires			Clear	INX2007CLR	
Clear	INX2006CLR		Green	INX2007GRN	
Green	INX2006GRN		Blue	INX2007BLU	
Blue	INX2006BLU		Red	INX2007RED	
Red	INX2006RED		Yellow	INX2007YEL	
Yellow	INX2006YEL		Frosted	INX2007FST	
Frosted	INX2006FST		Clear HR	INX2007HR	
Clear HR	INX2006HR				