



FEATURES

- ▼ Corrosion resistant copper free aluminum housing with a white oven-cured polyester powder coat high gloss protective finish.
- ▼ Slim low profile design.
- ▼ Available in one lamp or two lamp 15w versions.
- ▼ 120v 60Hz voltage operation as standard. Other options available.
- ▼ Double pole toggle switch as standard.
- ▼ Clear prismatic high impact DR acrylic lens.
- ▼ 5 year warranty.

APPROVALS

- ▼ UL 1598A - Marine Inside Type
- ▼ ABS
- ▼ Conforms to IP 40

APPLICATIONS

- ▼ Marine inside environments
- ▼ Accommodation modules/cabin sections
- ▼ Drill ships and exploration vessels
- ▼ Ferries
- ▼ Oil and gas platforms
- ▼ Tankers
- ▼ Passenger ships

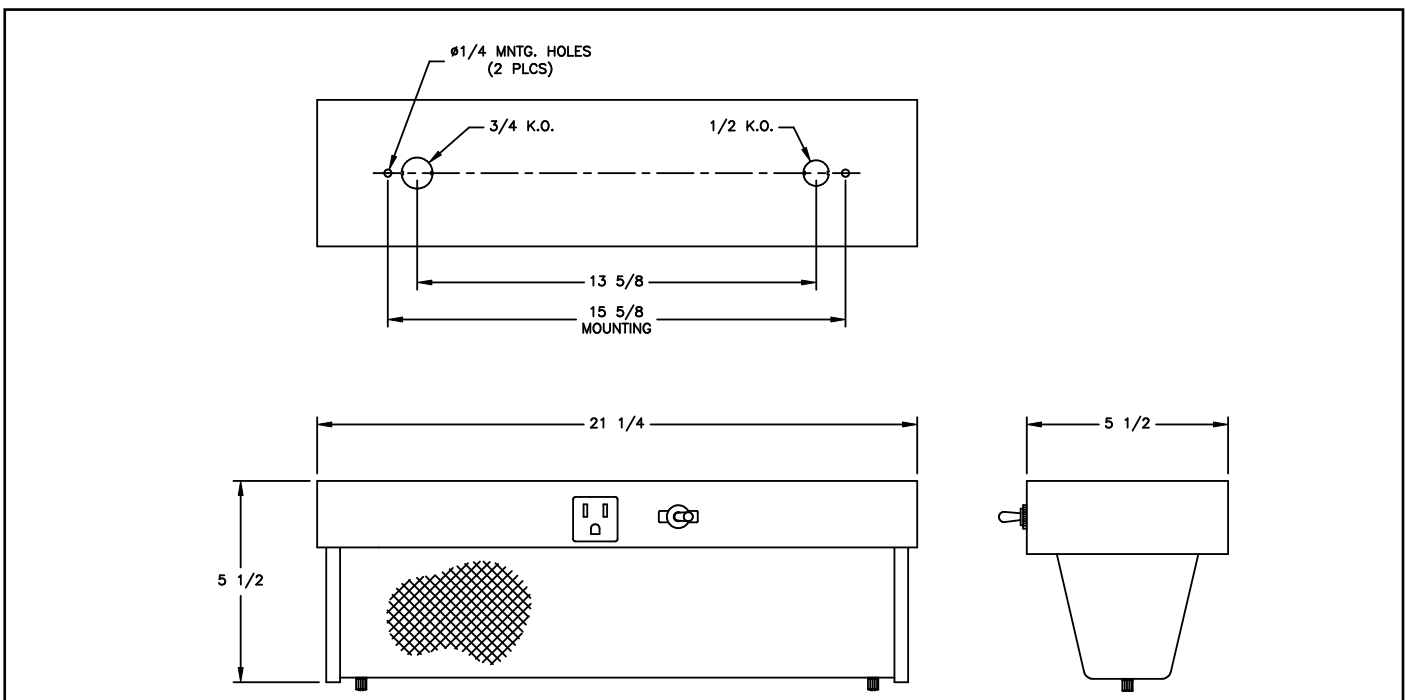
OPTIONS

To obtain a luminaire with any of the options listed below, please add the following suffix to the part number (not all options can be combined):

- ▼ Without Convenience Outlet LCO
- ▼ 220v 60Hz -226*

* Not available with Convenience Outlet.

DIMENSIONS



LUMINAIRE TECHNICAL SPECIFICATIONS

HOUSING

Corrosion resistant copper free aluminum with an oven-cured polyester powder coat protective finish.

REFLECTOR

Aluminum with a white high gloss polyester powder coat finish.

OUTLETS

All units are supplied with one 3/4" and one 1/2" NPT knockout.

LAMPHOLDER

Standard fluorescent lampholders are supplied with each luminaire.

SWITCH

A double pole toggle switch is provided as standard.

MOUNTING

Through two 1/4" Ø mounting holes on the back of each luminaire.

VOLTAGE OPERATION

Rated for operation on 120v 60Hz as standard. Also available in 220v 60Hz as an option.

LAMP TYPE

One or two 15w T8 fluorescent lamps are used. All luminaires are supplied without lamps.

LENS

A clear prismatic high impact DR acrylic lens is provided.

CONVENIENCE OUTLET

A 125v 3 wire - 2 pole "U" ground outlet is provided as standard. Not provided on 220V 60Hz models.

ORDERING REFERENCES

INSIDE TYPE FLUORESCENT BERTH/MIRROR LUMINAIRES			
DESCRIPTION	LAMP SIZE	WEIGHT (lbs)	ALUMINUM TYPE
Berth/Mirror Luminaire	1 x 15w	7.0	F115
Berth/Mirror Luminaire	2 x 15w	7.0	F215

SPARE PARTS	
LENS Both Units	FX2092
LAMPHOLDERS Set of 2	FX4036
CONVENIENCE OUTLET 125v 3 wire - 2 pole "U" ground	CX3001
BALLASTS 1 X 15w 2 X 15w	FX5009 FX5001
DOUBLE POLE SWITCH	INX3012
LAMP 15w T8 Fluorescent	FX3508