



## FEATURES

- ▼ Corrosion resistant copper free aluminum with a white oven-cured polyester powder coat protective finish.
- ▼ Slim design.
- ▼ Available in one or two lamp 8w fluorescent.
- ▼ 120v 60Hz voltage operation as standard.
- ▼ A push type momentary contact is switch provided.
- ▼ A clear fluted DR acrylic lens is supplied to allow increased light distribution.
- ▼ 125v 3 wire 2 pole U ground convenience outlet is provided as standard.
- ▼ Available in gold and silver architectural finishes.
- ▼ Available with a 3 position switch for on, off and night light (with a 6 watt incandescent lamp), when ordered with the NHB option.
- ▼ 5 year warranty.

## APPROVALS

- ▼ UL 1598A - Marine Inside Type
- ▼ ABS
- ▼ Conforms to IP 40

## APPLICATIONS

- ▼ Marine and wet environments
- ▼ Accommodation modules/cabin sections
- ▼ Drill ships and exploration vessels
- ▼ Ferries
- ▼ Oil and gas platforms
- ▼ Tankers
- ▼ Passenger ships

## OPTIONS

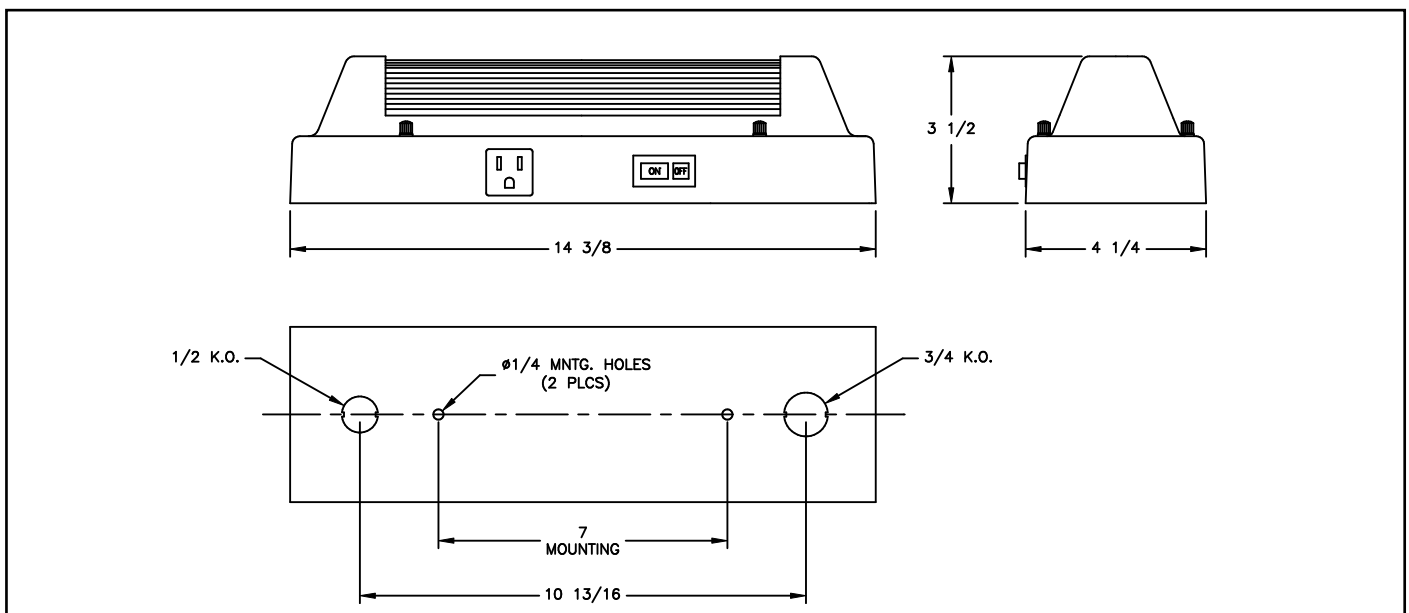
To obtain a luminaire with any of the options listed below, please add the following suffix to the part number (not all options can be combined):

- |   |        |
|---|--------|
| ▼ Gold finish                                     | G      |
| ▼ Silver Finish                                   | S      |
| ▼ Double Pole Toggle Switch                       | DS     |
| ▼ Without Convenience Outlet                      | LCO    |
| ▼ Marine Habitation Berth light ( 6w night light) | NHB    |
| ▼ Low Smoke Cable                                 | C*     |
| ▼ 220v 60Hz                                       | -226** |

\* Low smoke cable not UL listed.

\*\* Not available with Convenience Outlet, double pole switch is standard.

## DIMENSIONS



Dimensions in inches

**LUMINAIRE TECHNICAL SPECIFICATIONS**

**HOUSING**

Corrosion resistant copper free aluminum with a white oven-cured polyester powder coat protective finish and a white ABS cover.

**REFLECTOR**

Aluminum with a white high gloss polyester powder coat finish.

**OUTLETS**

All units are supplied with one 1/2" and one 3/4" NPT knockout.

**LAMPHOLDER**

Standard fluorescent lampholders are supplied with each luminaire.

**SWITCH**

A push type momentary contact switch is provided for operation. An optional double pole toggle switch is also available.

**MOUNTING**

Through two 1/4" Ø mounting holes on the back of each luminaire.

**VOLTAGE OPERATION**

Rated for operation on 120v 60Hz as standard LPF. Two ballasts are contained within each luminaire.

**LAMP TYPE**

Two lamp 8w fluorescent lamps are used. All luminaires are supplied with lamps.

**LENS**

A high impact fluted DR acrylic lens is provided which allows maximum light distribution.

**CONVENIENCE OUTLET**

A 125v 3 wire - 2 pole "U" ground outlet is provided as standard. The luminaire can be ordered without this outlet if required. See options. Not provided on 220V 60Hz models.

**ORDERING REFERENCES**

**INSIDE TYPE FLUORESCENT BERTH/MIRROR LUMINAIRES**

DESCRIPTION	LAMP SIZE	WEIGHT (lbs)	ALUMINUM TYPE
Berth Luminaire	1 x 8w	3.0	FBN18
	2 x 8w	3.3	FBN28
Mirror	1 x 8w	3.0	FMN18
	2 x 8w	3.3	FMN28

**SPARE PARTS**

<b>LENS ASSEMBLIES</b>	
FBN	FX6092FB
FMN	FX6092FM
<b>LAMP</b>	
8w Fluorescent	FX3509
<b>LAMP HOLDERS</b>	
Stationary	FX4029
<b>PUSH TYPE MOMENTARY CONTACT SWITCH</b>	FX3029
<b>CONVENIENCE OUTLET</b>	
125v 3 wire - 2 pole "U" ground	CX3001
<b>BALLASTS</b>	
1 X 8w	FX5012
2 X 8w (2 required)	FX5012



## FEATURES

- ▼ Single or double face EXIT luminaires.
- ▼ Corrosion resistant housing and diffuser frame in copper free aluminum with an oven-cured polyester powder coat protective finish.
- ▼ Recessed mounting option.
- ▼ 1 x 8w fluorescent lamp.
- ▼ Emergency versions available.
- ▼ 5 year warranty.

## APPROVALS

- ▼ ABS
- ▼ Conforms to IP 20

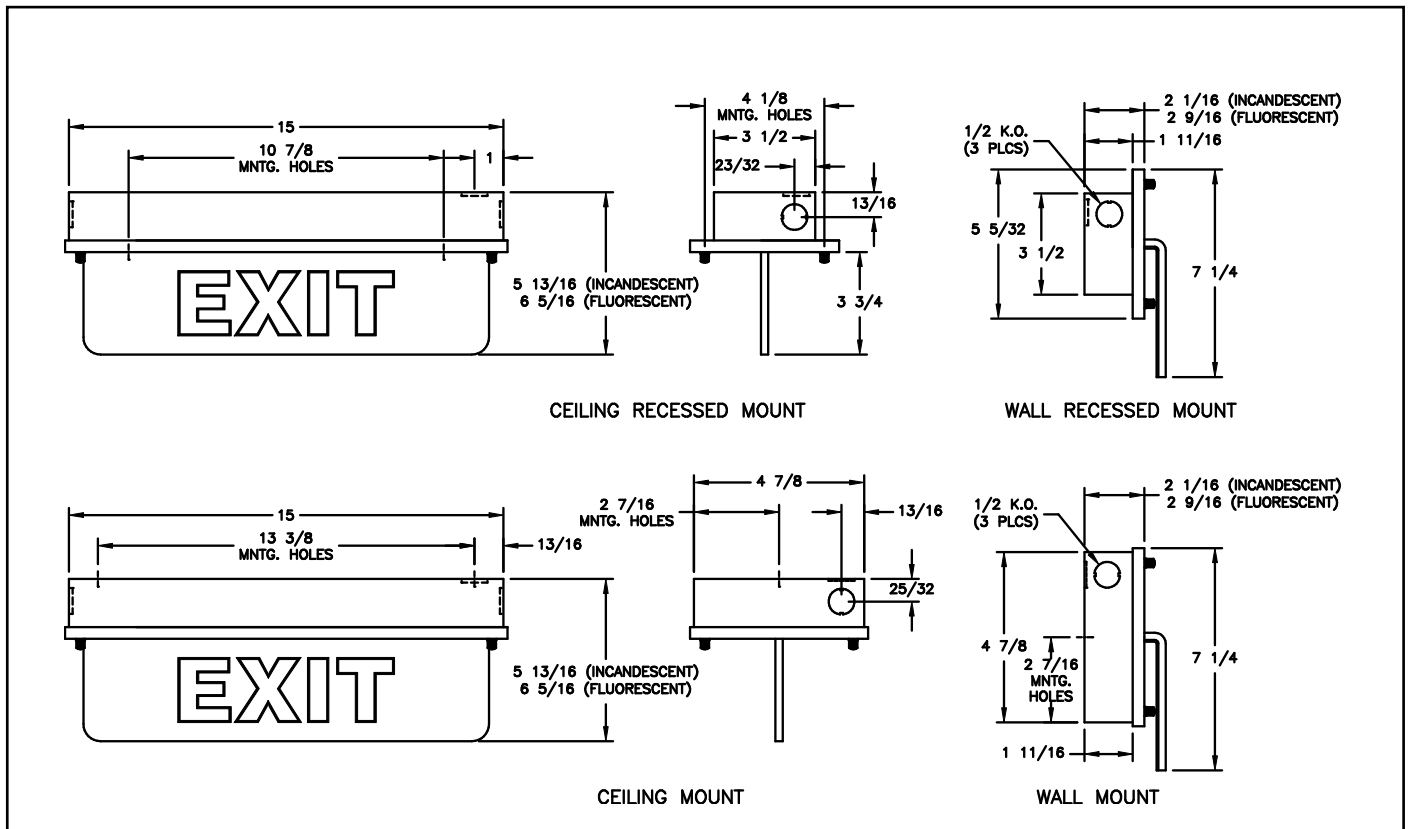
## APPLICATIONS

- ▼ Marine and wet environments
- ▼ Offshore oil and gas platforms
- ▼ Drill ships and exploration vessels
- ▼ Tankers and cargo ships
- ▼ Ferries
- ▼ Commercial vessels

## OPTIONS

See ORDERING REFERENCES.

## DIMENSIONS



**LUMINAIRE TECHNICAL SPECIFICATIONS**

**CONSTRUCTION**

The housing and diffuser frame are copper free corrosion resistant aluminum with an oven-cured polyester powder coat finish.

**OUTLETS**

All units are supplied with a single NPT knockout at each end.

**MOUNTING**

Mounting arrangements in ceiling or recessed ceiling.

**BALLAST**

Supplied with a 120v AC 60Hz LPF ballast. Other options include 220v AC 50Hz, 220v AC 60Hz and 277v AC 60Hz. All ballast electronic with the exception of 20w T12. Magnetic ballasts are available, please contact factory.

**LAMP TYPE**

Luminaires provided with one 8w T5 lamp.

**DIFFUSER**

Polished DR acrylic diffuser with red "EXIT" letters.

**ORDERING REFERENCES**

**INCANDESCENT AND FLUORESCENT EXIT SIGN LUMINAIRES**

<b>WORKED ORDERING EXAMPLE</b>	<b>1.</b>	<b>2.</b>	<b>3.</b>	<b>4.</b>	<b>5.</b>	<b>6.</b>	<b>7.</b>	<b>8.</b>
8w Fluorescent single face aluminum ceiling mounted exit sign with 120v 60Hz emergency ballast and a red right arrow and lettering on a white background	F	1	A	C	RW	AR	EM	
<b>1. LAMP TYPE</b>	<b>3. MATERIAL</b>	<b>5. LETTERS/BACKGROUND</b>		<b>7. BALLAST</b>				
F Fluorescent (8w)	A Aluminum	RW Red on White		EM Emergency				
<b>2. NUMBER OF FACES</b>	<b>4. MOUNTING</b>	<b>6. LENS OPTION</b>		<b>8. INPUT VOLTAGE</b>				
1 Single Face	C Ceiling	Blank "EXIT" only		Blank 120v AC 60Hz				
2 Double Face	CF Ceiling Recessed	EXER "EMERGENCY EXIT"		226 200v AC 60Hz				
				225 220v AC 60Hz				
				277 277v AC 60Hz				

**SPARE PARTS**

<b>BALLASTS</b>		<b>LAMP HOLDERS</b>	
Emergency	FX5019	Incandescent	INX4101
120v 60Hz	FX5012	Fluorescent	FX4029
220v 60Hz	FX5168		
220v 50Hz	FX5081		
277v 60Hz	FX5090		