

## FEATURES

- ▼ Corrosion resistant housing in copper free aluminum with an oven-cured polyester powder coat protective finish.
- ▼ Wide choice of lamp options in 17w, 20w, 24w, 32w, 40w and 54w available in one, two, three and four lamp versions luminaires.
- ▼ 120v AC 60Hz as standard with other options available.
- ▼ Supplied with a flat prismatic DR acrylic lens as standard. Other DR acrylic lens options include a prismatic drop-dish, white dropdish or white flat.
- ▼ Equipped with Shoc♦Loc™ bi-pin spring loaded lampholders for double ended lamps. Provides a positive contact and resistance to shock and vibration while maintaining positive electrical pin contact. Suitable for T5, T8 and T12 lamp types.
- ▼ Red Filter Tube option red filter to be operated on a separate circuit for darken ship mode.
- ▼ Emergency versions available.
- ▼ Three and four lamp models are provided with 2 ballast for independent switching or color effects.
- ▼ 5 year warranty.

## APPROVALS

- ▼ UL 1598A - Inside Drip Proof Type
- ▼ UL 924 - Emergency Lighting Equipment
- ▼ B-15 Fire Rating when integrated with B-15 fire rated ceiling and properly insulated. Steel unit only.
- ▼ ABS
- ▼ Conforms to IP 52

## APPLICATIONS

- ▼ Marine and wet environments
- ▼ Offshore oil and gas platforms
- ▼ Drill ships and exploration vessels
- ▼ Tankers
- ▼ Corridor and amenity lighting

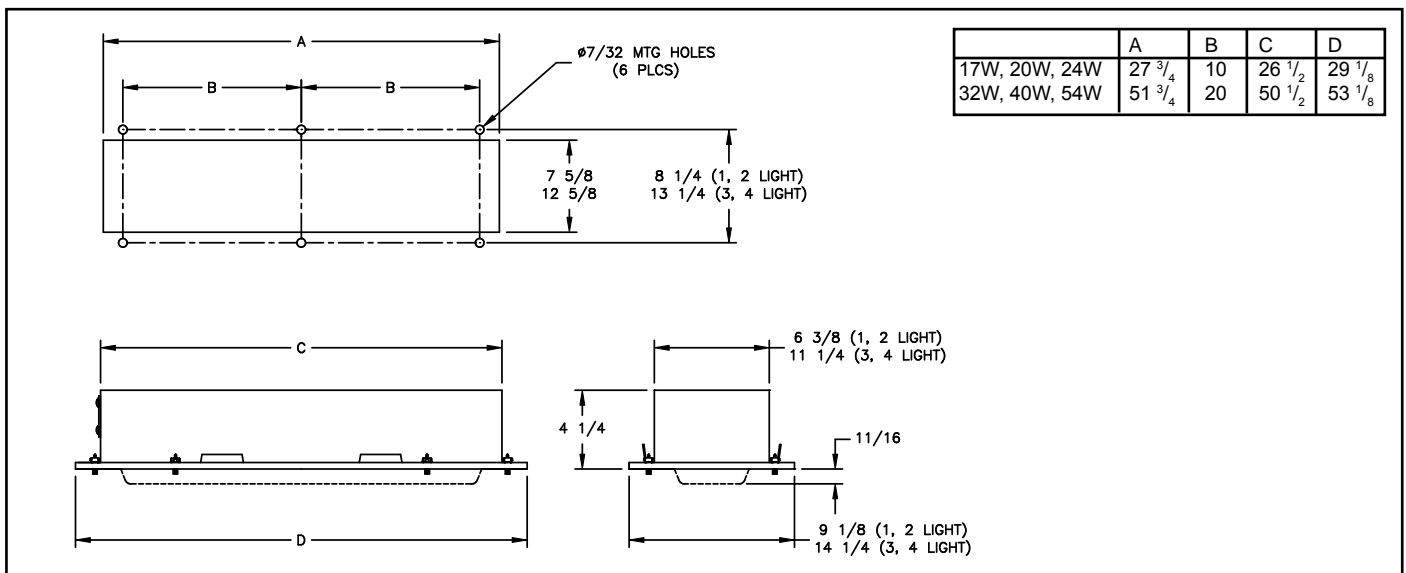
## OPTIONS

To obtain a luminaire with any of the options listed below, please add the following suffix to the part number (not all options can be combined):

- |  |       |
|--|-------|
| ▼ Dropdish White Lens (Remove suffix J)      | Blank |
| ▼ Dropdish Prismatic Lens (Replace suffix J) | H     |
| ▼ Flat White Lens (Replace suffix J)         | E     |
| ▼ Steel Housing                              | K     |
| ▼ Red Filter Tube (1 Lamp)                   | RV-1* |
| ▼ Red Filter Tube (all Lamps)                | RV*   |
| ▼ Blue Filter Tube (1 Lamp)                  | BV-1* |
| ▼ Blue Filter Tube (all Lamps)               | BV*   |
| ▼ Emergency Versions (1 lamp)                | EM    |
| ▼ Emergency Versions (2 lamp)                | EM2   |
| ▼ 120-277v 50/60 Hz (17, 24, 32 & 54w)       | -127  |
| ▼ 220v 50Hz                                  | -225  |
| ▼ 220v 60Hz                                  | -226  |
| ▼ 277v 60Hz                                  | -276  |

\* Not available in 24w or 54w.

## DIMENSIONS



## LUMINAIRE TECHNICAL SPECIFICATIONS

### HOUSING

Corrosion resistant copper free aluminum with an oven-cured polyester powder coat protective finish.

### OUTLETS

All units are supplied with two 1/2" and two 3/4" NPT knockouts at each end.

### LAMPHOLDER

Equipped with Shoc♦Loc™ bi-pin spring loaded lampholders for double ended lamps. Provides a positive contact and resistance to shock and vibration while maintaining positive electrical pin contact. Suitable for T5, T8 and T12 lamp types.



### LAMP TYPE

T5, T8 and T12 models use standard lamps dependent on wattage, which are not provided.

### BALLAST

Standard luminaires equipped with a High Power Factor (HPF) 120v 60Hz ballast. All ballast electronic with the exception of 20w T12. Magnetic ballasts are available, please contact factory. Other voltage options and emergency ballast also available.

### LENS AND LENS ASSEMBLY

Supplied with a flat prismatic DR acrylic lens as standard. The lens is attached to the lens frame by spring clips while the frame assembly is held to the housing with a sliding hinge arrangement and is secured into position by captive knurled screws. Other DR acrylic lens options include a prismatic dropdish, white dropdish or white flat. See options for substitute codes.

### TERMINAL BLOCK

Equipped with a 2 pole terminal block located on an access plate for ease of installation.

### MOUNTING

See dimensions for ceiling cut-out sizes.

## ORDERING REFERENCES

DRIP PROOF FLUORESCENT LUMINAIRES				
DESCRIPTION	LAMP TYPE	LAMP SIZE	WEIGHT (lbs)	DRIP PROOF LUMINAIRE
Ceiling Luminaire 17w	F17T8	1 x 17w	9.5	FR117J
		2 x 17w	10.0	FR217J
		3 x 17w	15.5	FR317J
		4 x 17w	16.0	FR417J
Ceiling Luminaire 20w	F20T12	1 x 20w	10.5	FR120J
		2 x 20w	11.0	FR220J
		3 x 20w	17.5	FR320J
		4 x 20w	18.0	FR420J
Ceiling Luminaire 24w	F24T5/HO	1 x 24w	9.5	FR124J
		2 x 24w	10.0	FR224J
		3 x 24w	15.5	FR324J
		4 x 24w	16.0	FR424J
Ceiling Luminaire 32w	F32T8	1 x 32w	13.5	FR132J
		2 x 32w	14.0	FR232J
		3 x 32w	22.0	FR332J
		4 x 32w	22.5	FR432J
Ceiling Luminaire 40w	F40T12	1 x 40w	14.5	FR140J
		2 x 40w	15.0	FR240J
		3 x 40w	24.0	FR340J
		4 x 40w	24.5	FR440J
Ceiling Luminaire 54w	F54T5/HO	1 x 54w	13.5	FR154J
		2 x 54w	14.0	FR254J
		3 x 54w	22.0	FR354J
		4 x 54w	22.5	FR454J

SPARE PARTS	
<b>LAMPHOLDER</b>	
Spring Loaded	FX4009
Stationary	FX4008
Set (one of each)	FX4008SET
<b>LENS</b>	
One and Two Lamp 17/20/24w	FX2034
Three and Four Lamp 17/20/24w	FX2035
One and Two Lamp 32/40/54w	FX2036
Three and Four Lamp 32/40/54w	FX2037
<b>TERMINAL BLOCK</b>	
2 Pole	FX3001
4 Pole	CX3070
<b>BALLASTS</b>	
1 X 17w	FX5173
2 X 17w	FX5260
1 x 20w	FX5009
2 x 20w	FX5001
1 x 24w	FX5307
2 x 24w	FX5307
2 x 32w	FX5173H
2 x 32w	FX5260H
1 x 40w	FX5011
2 x 40w	FX5004
1 x 54w	FX5305
2 x 54w	FX5305