

## FEATURES

- ▼ Stem/Pendant mount (1162) or Junction box (1163) versions available.
- ▼ Choice of corrosion resistant housing in cast marine brass or copper free aluminum.
- ▼ High impact protective guard in rugged heavy web cast marine brass or copper free aluminum.
- ▼ Suitable for use with lamps up to 150w A-23 maximum.
- ▼ Supplied with a wide choice of clear or colored lens in yellow, green, red and blue.
- ▼ Suitable for mounting base any position.
- ▼ 5 year warranty.

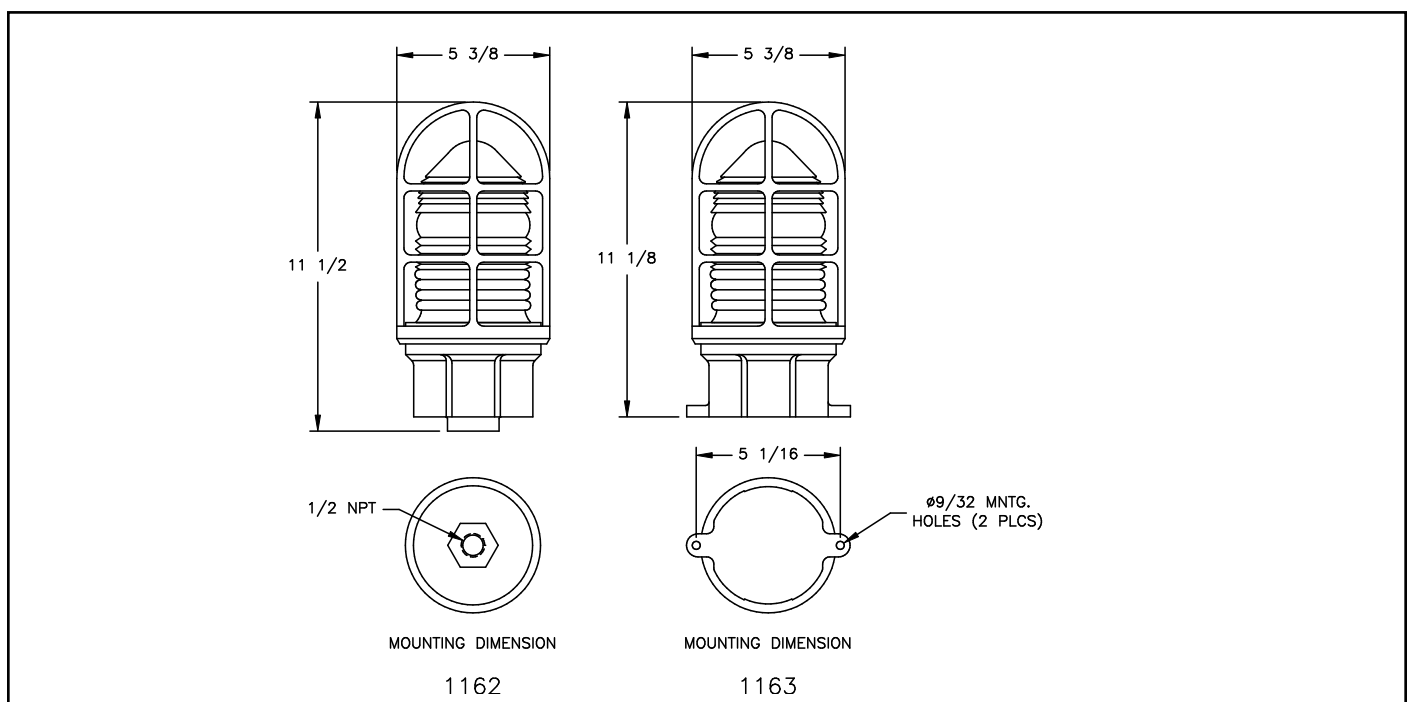
## APPROVALS

- ▼ UL 1598A - Marine Outside Type Saltwater
- ▼ ABS
- ▼ Conforms to IP 66

## APPLICATIONS

- ▼ Marine and wet environments
- ▼ Offshore oil and gas platforms
- ▼ Drill ships and exploration vessels
- ▼ Tankers and cargo ships
- ▼ Obstruction marking
- ▼ Heli-pad marking

## DIMENSIONS



Dimensions in inches

**LUMINAIRE TECHNICAL SPECIFICATIONS**

**HOUSING**

Available in cast marine brass or copper free aluminum.

**GUARD**

Natural heavy web cast marine brass or natural copper free aluminum supplied as standard.

**OUTLETS**

Junction box units are supplied undrilled. Stem mount units are supplied drilled and tapped with one 1/2" NPT outlet as standard. Other drilling and tapping options are also available.

**GASKETS**

One piece silicone gasket provides a watertight seal between the lens and housing.

**LAMP TYPE**

The luminaire is suitable for lamps up to 150w A-23 maximum. Luminaires are supplied without lamps.

**LENS**

A wide choice of lenses are available in clear, yellow, green, red and blue.

**LAMPHOLDER**

A porcelain lampholder with a nickel plated copper screw shell is supplied as standard.

**ORDERING REFERENCES**

INCANDESCENT HELIPORT DECK LUMINAIRES				
DESCRIPTION	MAX LAMP SIZE	MARINE BRASS WT (lbs)	MARINE BRASS TYPE (B)	ALUMINUM TYPE (A)
Stem Mount Clear Lens	150w A-23	10.0	1162B	1162A
Box Mount Clear Lens	150w A-23	10.3	1163B	1163A
Stem Mount Red Lens	150w A-23	10.0	1162BRED	1162ARED
Box Type Red Lens	150w A-23	10.3	1163BRED	1163ARED
Stem Mount Blue Lens	150w A-23	10.0	1162BBLU	1162ABLU
Box Mount Blue Lens	150w A-23	10.3	1163BBLU	1163ABLU
Stem Mount Green Lens	150w A-23	10.0	1162BGRN	1162AGRN
Box Mount Green Lens	150w A-23	10.3	1163BGRN	1163AGRN
Stem Mount Yellow Lens	150w A-23	10.0	1162BYEL	1162AYEL
Box Mount Yellow Lens	150w A-23	10.3	1163BYEL	1163AYEL

**SPARE PARTS**

<b>LAMPHOLDERS</b> Porcelain	INX4096	<b>LENS</b> (7 3/4" overall length) Clear Green Blue Red Yellow	INX2059CLR INX2059GRN INX2059BLU INX2059RED INX2059YEL	<b>LAMP</b> 150w A-23	INX3703
<b>GUARDS</b> Brass Guard Aluminum Guard (Standard guard fits both luminaire types)	INX1038B INX1038A		<b>GASKETS</b> Lens Gasket	GKT1011SIL	