



## FEATURES

- ▼ Xenon strobe output rated at 300 effective candle power (ECP).
- ▼ Available in ceiling, pendant and wall mount.
- ▼ Choice of corrosion resistant housing in cast marine brass or natural copper free aluminum.
- ▼ Heavy web cast marine brass or copper free aluminum protective guard prevents damage to lamps and supplied as standard..
- ▼ 120v AC 50 or 60Hz as standard. Other options available.
- ▼ Supplied with clear heat resistant high impact lens with an internal fresnel lens as standard. An optional choice of colored internal fresnel lens in yellow, green, red and blue is also available.
- ▼ Ideal choice for locations where flammable gases or corrosive atmospheres may be present.
- ▼ 5 year warranty.

## APPROVALS

- ▼ UL 844 - Hazardous Locations  
Class I Divisions 1 & 2 Groups C & D
- ▼ UL 1638 - Marine Visual Signaling Device
- ▼ Type 4X
- ▼ ABS
- ▼ Conforms to IP 66

## APPLICATIONS

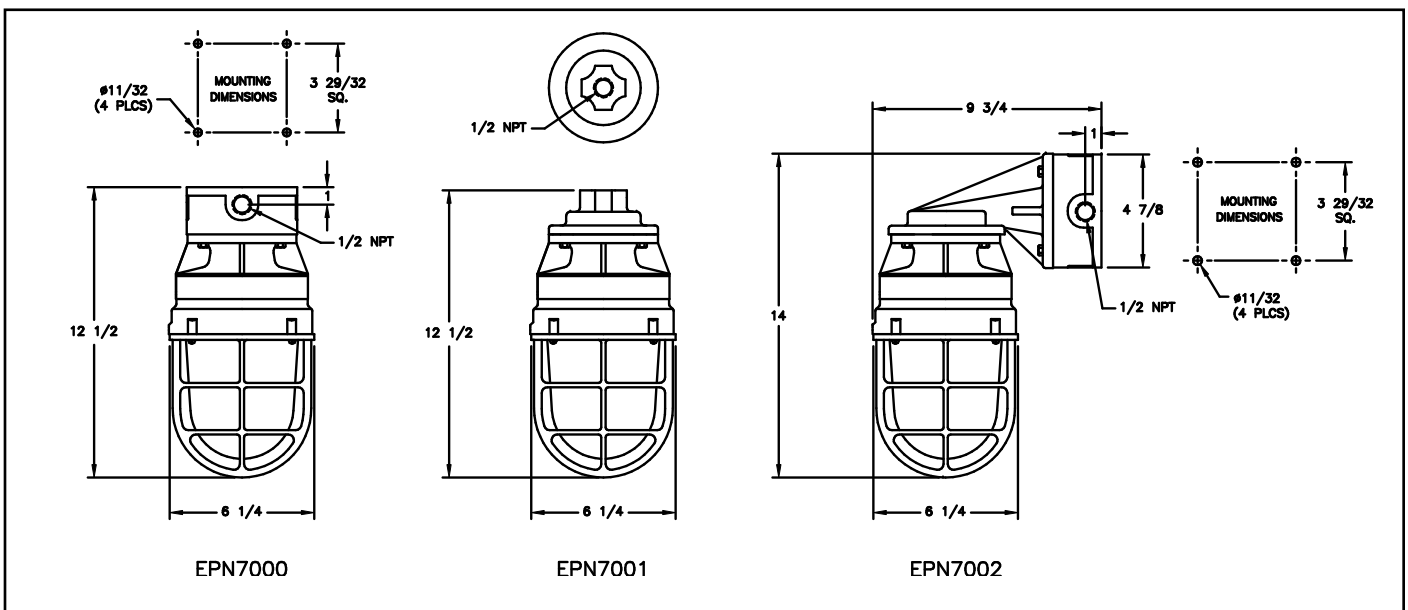
- ▼ Hazardous locations
- ▼ Marine and wet environments
- ▼ Offshore oil and gas platforms
- ▼ Drill ships and exploration vessels
- ▼ Tankers
- ▼ Obstruction marking

## OPTIONS

To obtain a luminaire with any of the options listed below, please add the following suffix to the part number (not all options can be combined):

- |                   |     |
|-------------------|-----|
| ▼ 12v DC Type     | -5  |
| ▼ 24v DC Type     | -6  |
| ▼ 240v AC 50/60Hz | -4  |
| ▼ Red Lens        | RED |
| ▼ Blue Lens       | BLU |
| ▼ Green Lens      | GRN |
| ▼ Yellow Lens     | YEL |

## DIMENSIONS



Dimensions in inches

**LUMINAIRE TECHNICAL SPECIFICATIONS**

**HOUSING**

Available in heavy cast marine brass or natural copper free aluminum.

**GUARD**

Natural heavy web cast marine brass or natural copper free aluminum supplied as standard.

**OUTLETS**

All units are supplied drilled and tapped with one 1/2" NPT outlets as standard. Junction box types (ceiling/bulkhead) can be supplied with a maximum of four 3/4" NPT outlets. Pendant types can be supplied with a maximum of one 3/4" NPT outlet only.

**GASKETS**

One piece neoprene gasket provides a watertight seal between the globe assembly and housing.

**CIRCUIT BOARD**

Standard voltage operation is 120v AC 50 or 60Hz. Other options available in 12v DC, 24v DC or 240v AC 50 or 60Hz. See options for ordering details.

**LAMP TYPE**

A xenon strobe lamp, 10,000 hour lamp life and 300 effective candle power (ECP), is supplied as standard. 120v and 24v have 80 flashes per minute (FPM) while 240v and 12v have 90 FPM. 7,000 hours lamp life.

**GLOBE**

A clear heat and impact resistant glass globe is provided with a clear plastic internal fresnel lens as standard. Colored internal fresnel lenses are available in yellow, green, red and blue.

**CURRENT DRAW**

12v	1.7 amps	24v	.7 amps
120v	.32 amps	240v	.16 amps

**TEMPERATURE CODE**

Temperature rating T6 at 40° C ambient temperature.

**ORDERING REFERENCES**

XENON STROBE LUMINAIRES				
DESCRIPTION	MARINE BRASS TYPE (B)	MARINE BRASS WT (lbs)	ALUMINUM TYPE (A)	ALUMINUM WT (lbs)
Ceiling Mount	EPN7000B	22.0	EPN7000A	9.0
Pendant Mount	EPN7001B	20.0	EPN7001A	8.0
Bulkhead Mount	EPN7002B	29.0	EPN7002A	11.5

SPARE PARTS			
<b>GUARDS</b> Marine Brass Aluminum	INX1005B	<b>CIRCUIT BOARDS</b> 120v AC 50 or 60Hz Strobe with Clear Lens Strobe with Red Lens Strobe with Blue Lens Strobe with Green Lens Strobe with Yellow Lens	INX3636CLR
	INX1005A		INX3636RED INX3636BLU INX3636GRN INX3636YEL
<b>GLOBE ASSEMBLY</b> Marine Brass Aluminum	INX9012B	12v or 24v DC Strobe with Clear Lens Strobe with Red Lens Strobe with Blue Lens Strobe with Green Lens Strobe with Yellow Lens	INX3637CLR
	INX9012A		INX3637RED INX3637BLU INX3637GRN INX3637YEL
<b>LAMPS</b>	INX3648	240v AC 50 or 60Hz Strobe with Clear Lens Strobe with Red Lens Strobe with Blue Lens Strobe with Green Lens Strobe with Yellow Lens	INX3639CLR
			INX3639RED INX3639BLU INX3639GRN INX3639YEL