



### FEATURES

- ▼ Quick break interior assures quick interruption of supply.
- ▼ Corrosion resistant enclosures in cast marine brass.
- ▼ External control handle has provision for padlocking.
- ▼ Two pole breaker units are rated for 480v AC or 250v DC while the three pole units are rated for 480v AC only.
- ▼ Available in 15 Amp, 20 Amp, 30 Amp, 40 Amp, 50 Amp, 60 Amp and 100 Amp rated units.
- ▼ 2P3W or 3P3W units available.
- ▼ 5 year warranty.

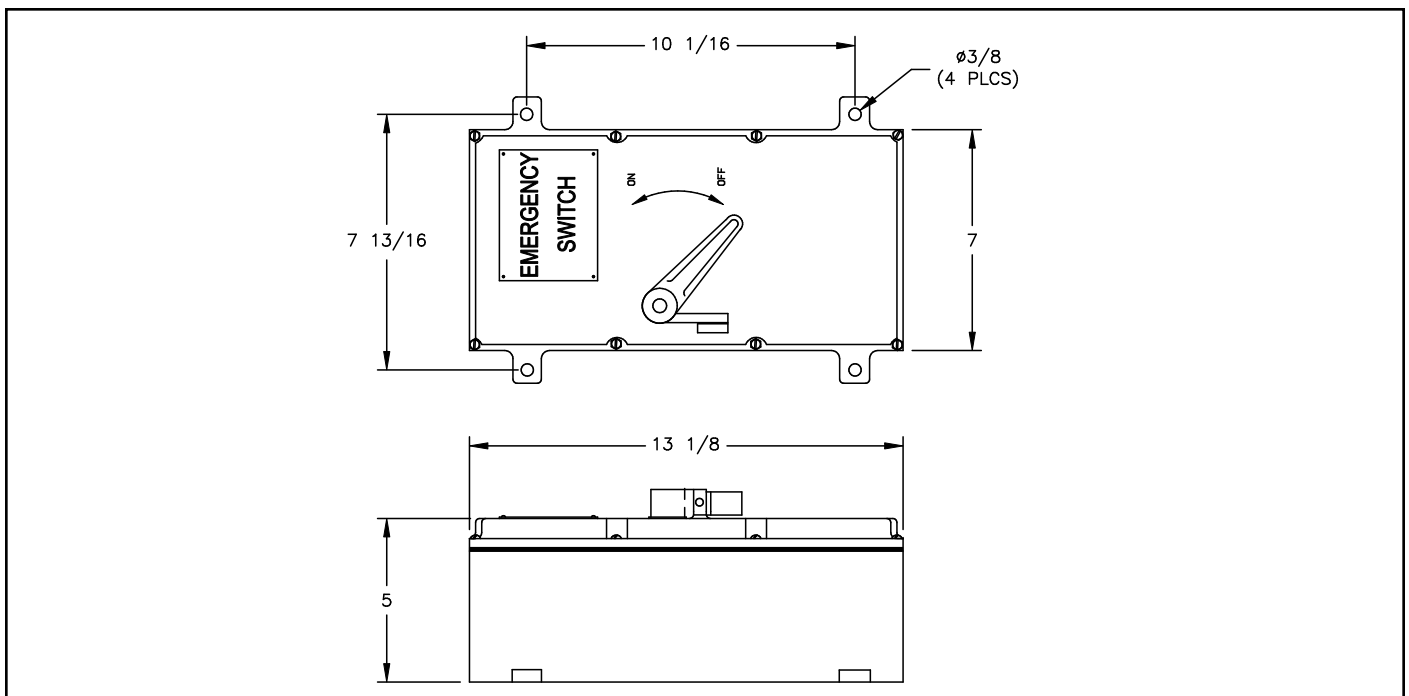
### APPROVALS

- ▼ ABS
- ▼ Type 4X
- ▼ Conforms to IP 66

### APPLICATIONS

- ▼ Marine and wet environments
- ▼ Offshore oil and gas platforms
- ▼ Drill ships and exploration vessels
- ▼ Tankers
- ▼ Ferries/Passenger Ships

### DIMENSIONS



Dimensions in inches



**MARINE, OUTSIDE AND CORROSIVE ENVIRONMENTS  
WATERTIGHT EMERGENCY DISCONNECT BREAKER**

**TECHNICAL SPECIFICATIONS**

**ENCLOSURES**

Cast marine brass as standard in natural finish.

**HARDWARE**

Stainless steel for all types.

**OUTLETS**

All units are furnished blank but can be supplied with one hole in each end up to a maximum of 1 1/2" NPT or with two holes in each end up to a maximum of 1 1/4" NPT. Please state requirements on application.

**VOLTAGE OPERATION BREAKERS**

Two pole breakers are all rated for operation on 480v AC or 250v DC while the three pole breakers are for operation on 480v AC only. Unit are available in 15 Amp, 20 Amp, 30 Amp, 40 Amp, 50 Amp, 60 Amp and 100 Amp.

**MOUNTING**

Surface mounted via four 3/8" Ø mounting holes.

**ORDERING REFERENCES**

EMERGENCY WATERTIGHT DISCONNECT BREAKERS			
DESCRIPTION	MARINE BRASS WEIGHT (lbs)	2P3W MARINE BRASS TYPE (B)	3P3W MARINE BRASS TYPE (B)
Enclosure Only	28.0	2482B	2482B
15 Amp Breaker	30.5	2482B-215	2482B-315
20 Amp Breaker	30.5	2482B-220	2482B-320
30 Amp Breaker	30.5	2482B-230	2482B-330
40 Amp Breaker	30.5	2482B-240	2482B-340
50 Amp Breaker	30.5	2482B-250	2482B-350
60 Amp Breaker	30.5	2482B-260	2482B-360
100 Amp Breaker	30.5	2482B-2100	2482B-3100

SPARE PARTS			
<b>COVERS WITH HANDLE</b>	INX6575B	<b>BOX</b>	INX6041B
<b>GASKET</b>	GKT5005	<b>HANDLE ASSEMBLY</b>	INX8018B
<b>2P BREAKER INTERIORS</b>		<b>3P BREAKER INTERIORS</b>	
15 Amp	INX3086	15 Amp	INX3093
20 Amp	INX3087	20 Amp	INX3094
30 Amp	INX3088	30 Amp	INX3095
40 Amp	INX3089	40 Amp	INX3096
50 Amp	INX3090	50 Amp	INX3097
60 Amp	INX3091	60 Amp	INX3098
100Amp	INX3092	100Amp	INX3099