



## FEATURES

- ▼ Flush or surface mount types.
- ▼ Single throw double pole snap switches.
- ▼ Corrosion resistant enclosures in cast marine brass.
- ▼ Available in 15 Amp 120v AC, 10 Amp 24v DC, 2 Amp 125v DC, 20 Amp 600v AC, 15 Amp 24v DC or 5 Amp 125v DC dependant on type.
- ▼ 5 year warranty.

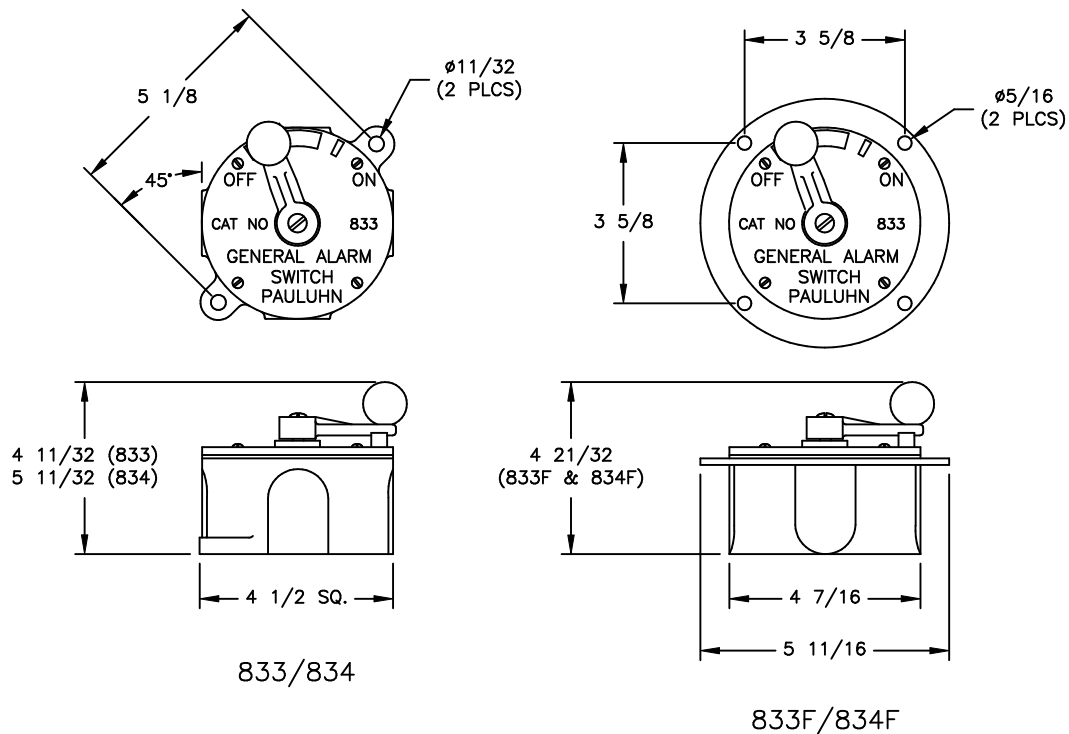
## APPROVALS

- ▼ ABS
- ▼ Type 4X
- ▼ Conforms to IP 66

## APPLICATIONS

- ▼ Marine and wet environments
- ▼ Offshore oil and gas platforms
- ▼ Drill ships and exploration vessels
- ▼ Tankers
- ▼ Ferries/Passenger Ships

## DIMENSIONS





**MARINE, OUTSIDE AND CORROSIVE ENVIRONMENTS  
WATERTIGHT GENERAL ALARM CONTACT MAKER**

**TECHNICAL SPECIFICATIONS**

**HOUSING**

Cast marine brass with a natural finish.

**HARDWARE**

Stainless steel.

**OUTLETS**

All units are furnished blank but can be supplied with up to four 3/4" NPT outlets. Please state requirements on application.

**SWITCHES**

Both units have double pole single throw switches which are spring loaded.

**VOLTAGE OPERATION**

833 unit is rated for operation on 15 Amp 125v AC, 10 Amp 24v DC or 2 Amp 125v DC. The 834 unit is rated for operation on 20 Amp 600v AC, 15 Amp 24v DC or 5 Amp 125v DC.

**MOUNTING**

Surface mount units are mounted via two 1 1/32" Ø mounting holes. Flush mount units are mounted via four 9/32" Ø mounting holes.

**ORDERING REFERENCES**

WATERTIGHT GENERAL ALARM CONTACT MAKER		
DESCRIPTION	WEIGHT(lbs)	MARINE BRASS TYPE (B)
15 Amp 120v AC Surface Mount 3 Wire	5.0	833
20 Amp 600v AC Surface Mount 3 Wire	6.0	834
15 Amp 120v AC Surface Mount 3 Wire	5.0	833F
20 Amp 600v AC Surface Mount 3 Wire	6.0	834F

SPARE PARTS			
<b>BOXES</b>		<b>INTERIORS</b>	
833 Surface Mount	INX6037B	833	INX3058
834 Surface Mount	INX6083B	834	INX3118-EP
833F Flush Mount	INX6053B		
834F Flush Mount	INX6054B		
<b>HANDLE</b>	INX8017B	<b>COVER WITH HANDLE</b>	INX6576B
<b>COVER GASKET</b>	GKT3002	<b>"O" RING</b>	GKT1041