



## FEATURES

- ▼ 2P3W and 3P4W pin and sleeve Pauluhn type plugs and receptacles.
- ▼ Corrosion resistant enclosures in cast marine brass or copper free aluminum.
- ▼ Standard units supplied in 125v AC. Other voltage options available are 2P3W 20 Amp in 250v, 277v or 480v, 3P4W 20 Amp in 250v, 480v and 600v and 30 Amp 2P3W or 3P4W in 250v, 480v or 600v.
- ▼ Switch features a safety interlocking design preventing the removal or insertion of a plug while the switch is in the ON position.
- ▼ Pin and sleeve with double or three pole switches.
- ▼ 5 year warranty.

## APPROVALS

- ▼ ABS
- ▼ Type 4X
- ▼ Conforms to IP 66

## APPLICATIONS

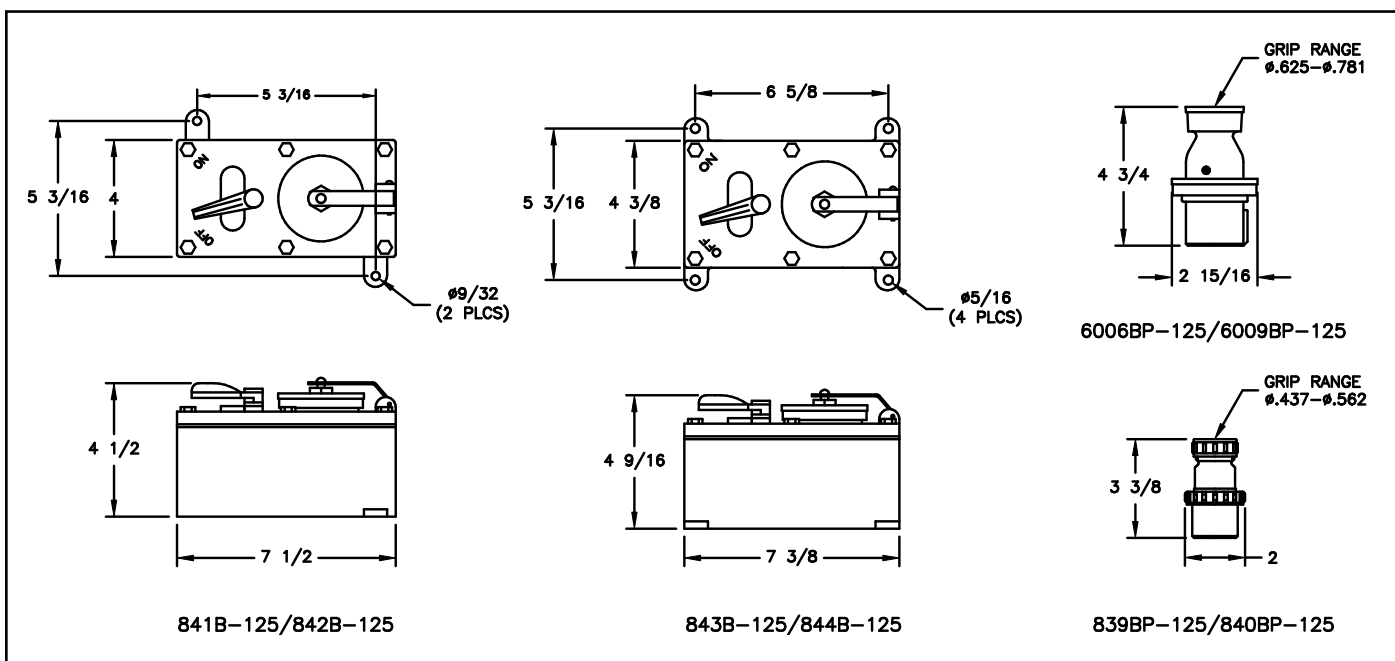
- ▼ Marine and wet environments
- ▼ Offshore oil and gas platforms
- ▼ Drill ships and exploration vessels
- ▼ Tankers
- ▼ Salvage/recovery vessels
- ▼ Construction yards

## OPTIONS

To obtain a luminaire with one of the following options listed below add the following suffix (not all options can be combined):

- |                                 |      |
|---------------------------------|------|
| ▼ 250v                          | -250 |
| ▼ 277v (20 Amp 2P3W units only) | -277 |
| ▼ 480v                          | -480 |
| ▼ 600v (30 Amp 3P4W units only) | -600 |

## DIMENSIONS



Dimensions in inches

**TECHNICAL SPECIFICATIONS**

**HOUSING**

Cast marine brass or copper free aluminum in a natural finish.

**HARDWARE**

Stainless steel.

**MOUNTING**

Units are mounted using two or four mounting holes

**SWITCHES**

The mechanical interlocking design prevents the insertion or removal of plugs while the switch is on.

**VOLTAGE OPERATION**

Available in 20 or 30 Amp types, standard units are supplied for operation on 125v AC. Other options include the following: 20 Amp 2P3W units in 250v AC, 277v AC and 480v AC. 20 Amp 3P4W units in 250v AC, 480v AC and 600v AC. 30 Amp 2P3W and 3P4W units are available in 250v AC, 480v or 600v AC.

**PLUGS AND RECEPTACLES**

Pin and sleeve Pauluhn type configuration rated for operation on 20 or 30 Amps.

**ORDERING REFERENCES**

**MARINE WATERTIGHT RECEPTACLES AND PLUGS**

DESCRIPTION	MARINE BRASS WT(lbs)	MARINE BRASS (B) TYPE 2P3W	ALUMINUM (A) TYPE 2P3W	MARINE BRASS (B) TYPE 3P4W	ALUMINUM (A) TYPE 3P4W
20 Amp Receptacle	7.5	841B-125	841A-125	842B-125	842A-125
20 Amp Plug	0.8	839BP-125	839AP-125	840BP-125	840AP-125
30 Amp Receptacle	9.0	843B-125	843A-125	844B-125	844A-125
30 Amp Plug	1.0	6009BP-125	6009AP-125	6006BP-125	6006AP-125

**SPARE PARTS**

COVERS		BOXES		COVER GASKETS	
20 Amp Interlock Marine Brass	INX6525B	20 Amp Interlock Marine Brass	INX6009B	20 Amp Interlock	GKT5057
20 Amp Interlock Aluminum	INX6525A	20 Amp Interlock Aluminum	INX6009A	30 Amp Interlock	GKT5058
30 Amp Interlock Marine Brass	INX6716B	30 Amp Interlock Marine Brass	INX6069B		
30 Amp Interlock Aluminum	INX6716A	30 Amp Interlock Aluminum	INX6069A		
2P3W INTERIORS		3P4W INTERIORS			
20 Amp Receptacle	INX3022-125	20 Amp Receptacle	INX3023-125		
20 Amp Plug	INX3143-125	20 Amp Plug	INX3147-125		
30 Amp Receptacle	INX3043	30 Amp Receptacle	INX3057		
30 Amp Plug	INX3073	30 Amp Plug	INX3074		
SWITCHES		CAPS			
841 125v and 250v	INX3038	20 Amp Marine Brass	INX8004B		
841 277v and 480v	INX3115	20 Amp Aluminum	INX8004A		
842 all voltages	INX3013	30 Amp Marine Brass	INX8014B		
843 125v and 250v	INX3115	30 Amp Aluminum	INX8014A		
843 277v and 600v	INX3301				
844 125v and 250v	INX3013				
844 277V and 600V	INX3256				