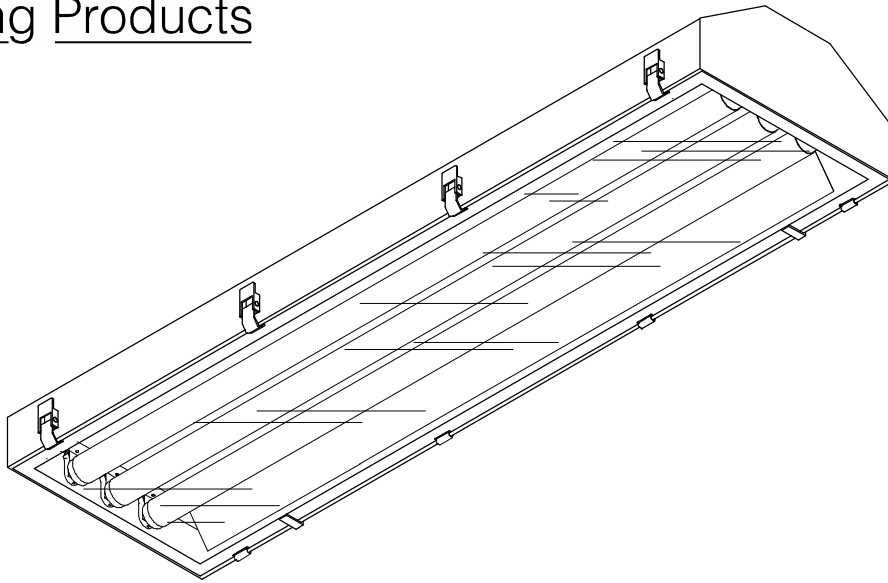




Lighting Products

- CSA - Class I Div. 2 - Groups A, B, C, & D
- CSA - Class I Zone 2 - Groups IIA, IIB & IIC
- CSA - Class II Div. 1 & 2 - Groups F & G
- CSA - Class III
- CSA - Type 3 R
- Enclosed & Gasketed



HazPro

Hazardous Area Fluorescent

Features:

- Heavy duty 20 gauge steel fixture housing.
- Polyester powder coat finish for corrosion resistance.
- 14 gauge lens frame, hinged for easy lamp replacement.
- Standard clear 3/16" tempered glass lens.
- Neoprene gasket permanently mounted in lens frame.
- Spring loaded sockets on HO models.
- Locking sockets on RS models made of industrial grade high temperature PBT.
- Available in pendant or feed-thru hub design.
- Highest lumen output; for size, watt input for any industrial fluorescent fixture.
- 2 & 3 lamp T12 designs, 2 & 4 foot models.
- 2, 3 & 4 lamp T8 designs, 2 & 4 foot models.
- 2, 3 & 4 lamp T5 designs, 2 & 4 foot models.
- 2 & 3 lamp, 2 foot and 4 & 6 lamp, 4 foot models in compact fluorescent designs.

Applications:

- | | |
|--------------------------------|--------------------------------|
| ■ Grain elevators | ■ Fuel storage areas |
| ■ Pulp & Paper mills | ■ Munitions storage facilities |
| ■ Coal handling facilities | ■ Metal refining plants |
| ■ Chemical & curing facilities | ■ Coal storage silos |

HazPro

Catalog Number Logic

HP **4** - **2** **1** **1** **0** - ******
(1) (2) (3) (4) (5) (6) (7)

(1) Series - HazPro "HP"

White powder coated steel, 20 gauge housing and 14 gauge door. Standard lens is tempered glass.

(2) Length (nominal)

- 2 - 2 foot
- 4 - 4 foot

(3) Number of Lamps

- 2 - For 2 lamps
- 3 - For 3 lamps
- 4 - For 4 lamps (ballast type 1, 2 & 5)
- 6 - For 6 lamps (ballast type 2 only)

(4) Ballast Type

- 1 - 265 mA, T8 (2ft 17w or 4ft 32w)
(0° F & -18° C starting temp, 50/60Hz electronic ballast)
- 2 - 270 mA, 2G11 – (2ft or 4ft 40w compact fluorescent)
(0° F & -18° C starting temp, 50/60Hz electronic ballast)
- 4 - 430 mA, T12, RS (4ft 40w)*
(+50° F & +1° C starting temp, magnetic ballast)
- 5 - T5, HO, IS (2ft 24w or 4ft 54w)
(0° F & -18° C starting temp, 50/60Hz electronic ballast)
- 8 - 800 mA, T12, RS, HO (2ft 35w or 4ft 60w)
(-20° F & -29° C starting temp, magnetic ballast)

(6) Voltage / Frequency

- 1 - 120 Volt 60 Hz
- 4 - 240 Volt 60 Hz (T12 magnetic only)
- 5 - 277 Volt 60 Hz
- 6 - 347 Volt 60 Hz
- 7 - 120 to 277 Volt 50/60 Hz (ballast type 1, 2 & 5)

(6) Mounting Style

- 0 - Pendant mounting (2- 1/2" npt. hubs)
- 1 - Feed-thru mounting (2- 1/2" npt. hubs)
- 2 - Pendant / feed-thru mounting (4- 1/2" npt. hubs)
- 3 - Pendant mounting (2- 3/4" npt. hubs)
- 4 - Feed-thru mounting (2- 3/4" npt. hubs)
- 5 - Pendant / feed-thru mounting (4- 3/4" npt. hubs)
(Adjustable, wall & chain brackets shown in mounting options)

(7) Special Options

- A - Acrylic lens
- EM1 - Emergency ballast, all areas, 700 lumen
- EM2 - Emergency ballast, Class II & Type 3R, 700 lumen
- EM3 - Emergency ballast, Class II & Type 3R, 1200 lumen
- HR - High reflectance reflector
- L - Lamps (energy saving except on HO)
- P - Polycarbonate lens
- S - Switch, on/off
- SG - Silicone lens gasket

Notes:

1. * **Limited availability, consult factory.**
2. **Lamps are not included.**
3. **All emergency units have integral test switch and charging circuit indicator lamp.**
4. **Consult factory for any catalog number or options not listed above for price and availability.**

HazPro

Ordering Guide, 120 Volt Models

Fixture Length	Ballast Type	Lamp Type	Number of Lamps	Raw Lumen Output	Catalog Number
Four Foot	Electronic	F32T8	2	6,962	HP4-2110
			3	10,443	HP4-3110
			4	13,924	HP4-4110
		FT40W/2G11	4	12,600	HP4-4210
			6	18,900	HP4-6210
			F54T5HO	2	10,000
	3	15,000		HP4-3570	
	4	20,000		HP4-4570	
	Magnetic	F48T12/HO	2	6,885	HP4-2810
			3	10,328	HP4-3810

Notes: For 2 ft. models (not available in 430 mA) change “HP4” to “HP2” in catalog number.
Catalog number shown is for ½”npt. Pendant, see Catalog Number Logic for optional mounting variations.

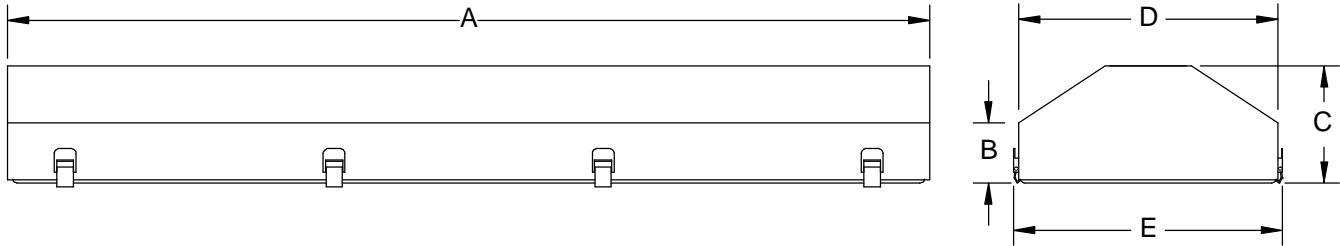
Certification Guide

Magnetic ballast approved @ 40 C ambient Electronic ballast approved @ 55 C ambient		Class I Div. 2 Groups A, B, C & D		Class I Zone 2 Groups IIA, IIB & IIC		Class II Div. 1 & 2 Class III	
Ballast Type	No. of Lamps	Approval	T-Rating	Approval	T-Rating	Approval	Groups
Electronic, T5, HO, IS	2, 3 & 4	CSA	T5	CSA	T5	CSA	F & G
Electronic, 265mA, T8, RS	2, 3 & 4	CSA	T5	CSA	T5	CSA	F & G
Electronic, 270mA, 2G11, RS	2, 3, 4 & 6	CSA	T5	CSA	T5	CSA	F & G
Magnetic, 430mA, T12, RS	2 & 3	CSA	T4A	CSA	T4	CSA	F & G
Magnetic, 800mA, T12, HO	2 & 3	CSA	T4	CSA	T4	CSA	F & G

For detailed test results and approvals consult factory

HazPro

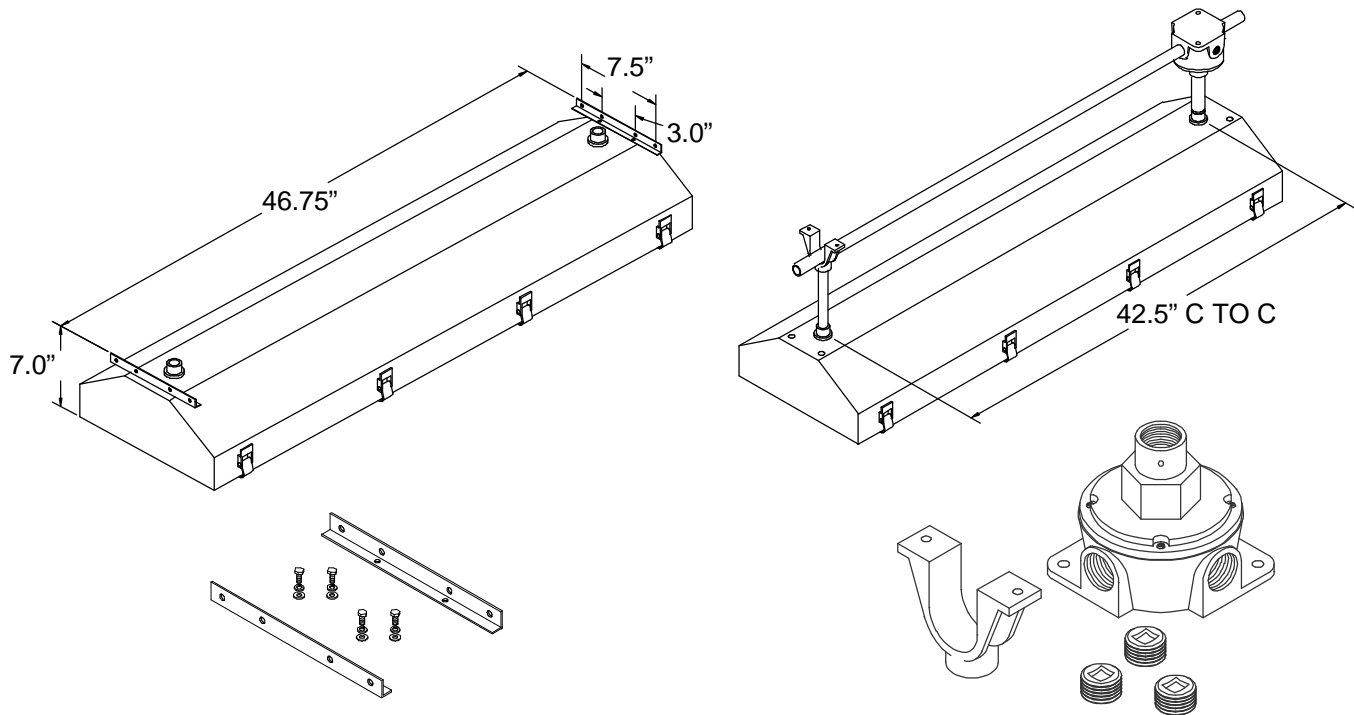
Dimensions



Nominal Length	Dimensions in Inches / Centimeters					Cubic Size Feet / Meter	Weight lb. / kg
	A	B	C	D	E		
2 Foot	24.0 / 60.9	3.2 / 7.6	6.2 / 15.3	13.5 / 34.3	14.4 / 36.6	2.69 / 0.0761	32.8 / 14.9
4 Foot	48.0 / 121.9	3.2 / 7.6	6.2 / 15.3	13.5 / 34.3	14.4 / 36.6	4.84 / 0.1371	46.8 / 21.3

Weights shown are for 2 lamp HO model add 8 lb. / 3.6 kg. for 3 lamp HO model
Deduct 5 lb. / 2.2 kg. for all other 2 lamp models

Mounting Options



HP1093MTK Chain mounting kit.

Consisting of 2 stainless steel chain brackets & hardware to mount brackets to fixture.

HP1095MTK

Hazardous area pendant kit.

Consists of 1 saddle strap and one universal junction box & cover (3/4" npt hubs)

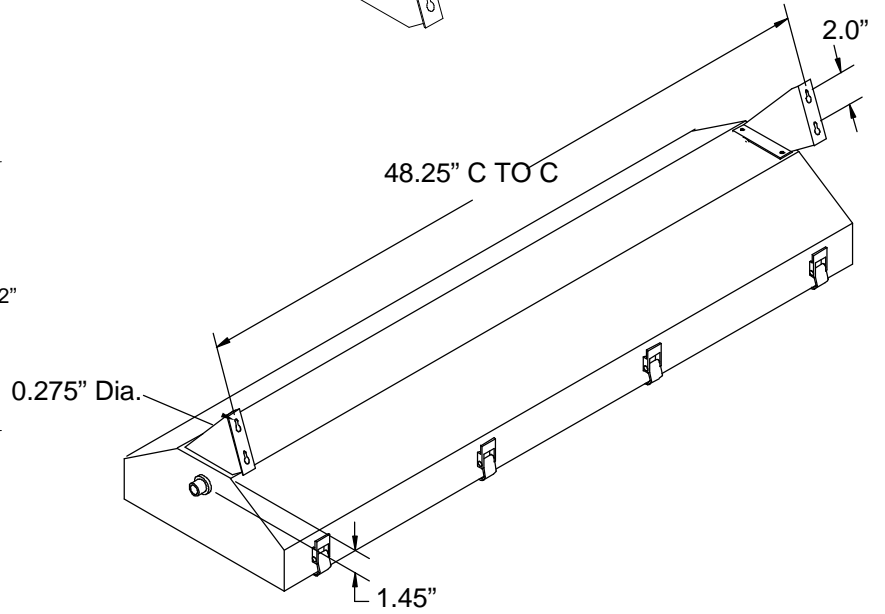
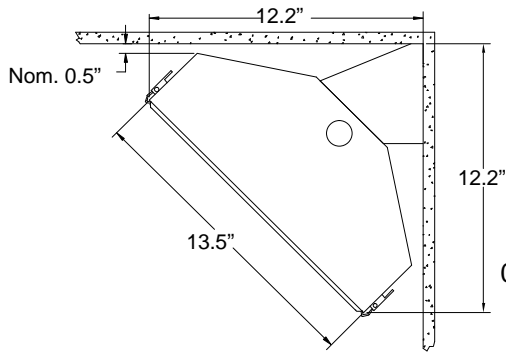
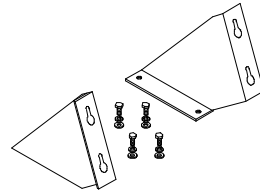
HazPro

Mounting Options

HP1099MTK

Fixed wall mounting kit.

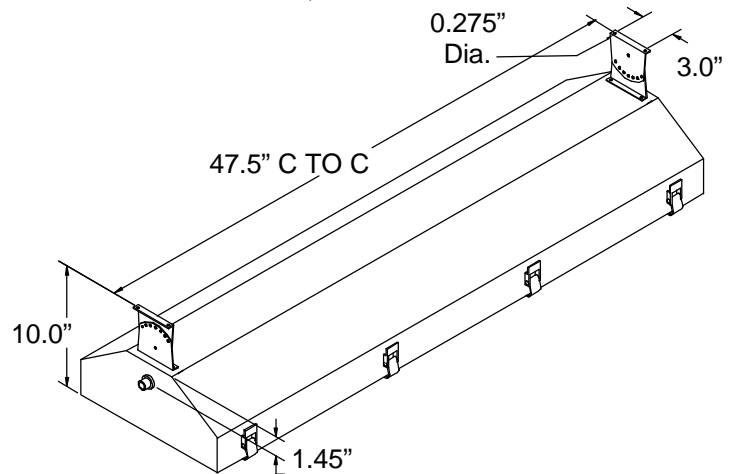
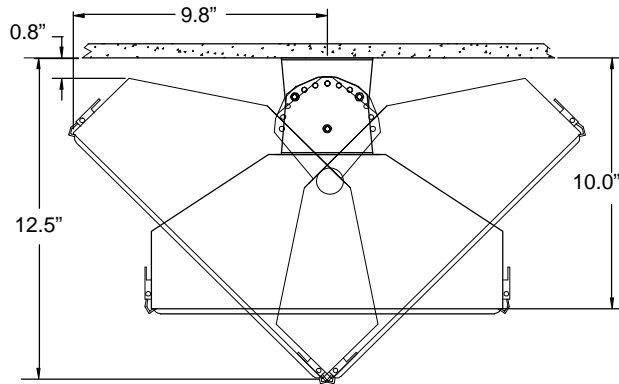
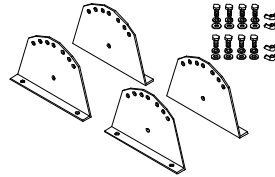
Consisting of 2 angled stainless steel wall brackets & hardware to mount brackets to fixture.



HP1097MTK

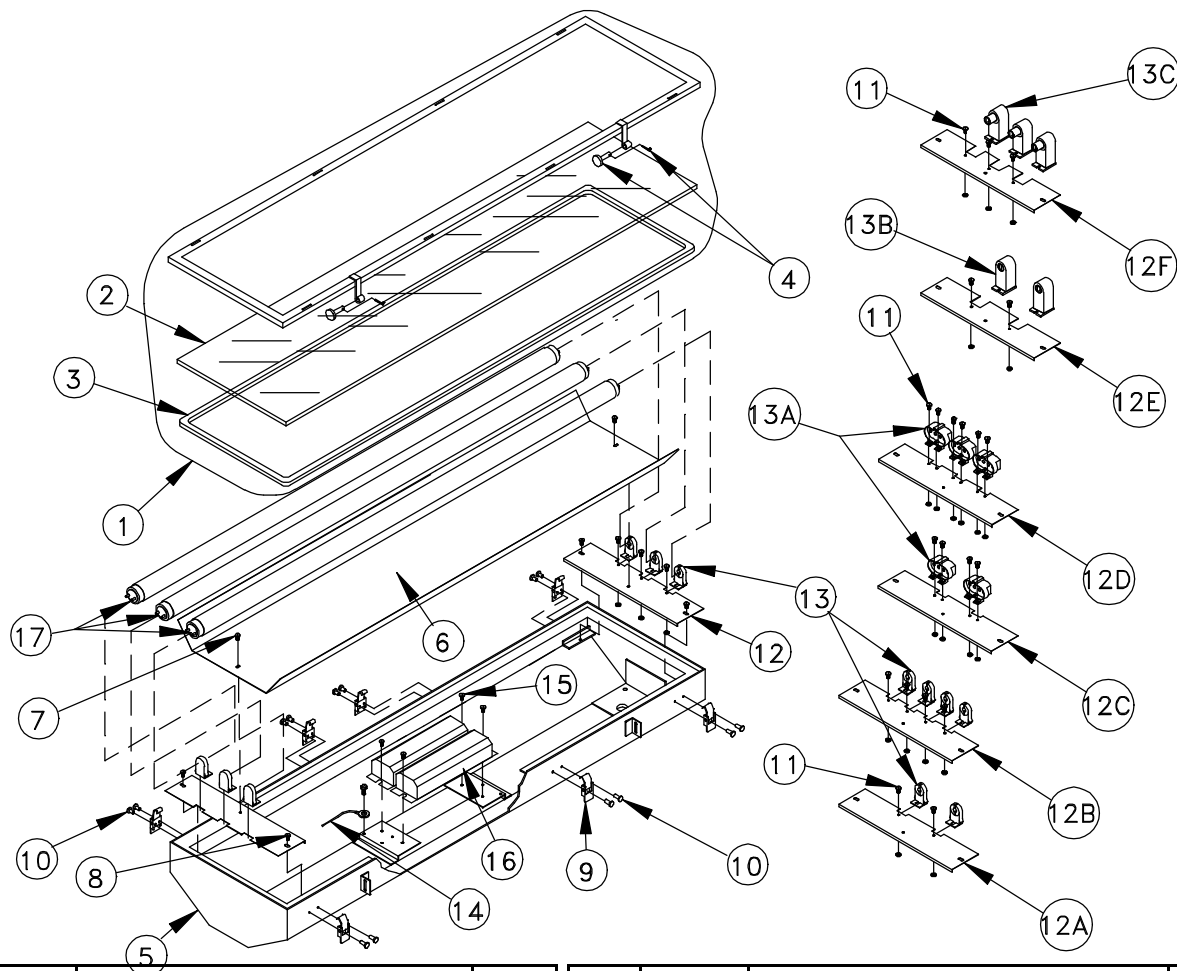
Adjustable mounting kit.

Consisting of 2 pairs of stainless steel brackets & hardware to mount brackets to fixture.



HazPro

Parts List



Item No.	Part No.	Description	No Req'd
1	006-4000	Door frame c/w glass lens & gasket. 4 ft. model	1
1*	006-2000	Door frame c/w glass lens & gasket. 2 ft. model	1
2	006-4110	Lens, tempered glass. 4 ft. models	1
2*	006-2110	Lens, tempered glass. 2 ft. models	1
3	006-4200	Gasket, neoprene. 4 ft. models	1
3*	006-2200	Gasket, neoprene. 2 ft. models	1
4	380-2003	Hinge pin assembly for all models	2 sets
5	006-4400	Housing, pendant mount, 4 ft. models	1
5*	006-2400	Housing, pendant mount, 2 ft. models	1
6	006-4300	Reflector for all 4 ft. models	1
6*	006-2300	Reflector for all 2 ft. models	1
7	309-1003	Screw, reflector mounting for all models	2
8	380-1810	Mounting hardware, socket plate for all models	4 sets
9	035-2065	Catch, for all models	4 or 8
10	035-1067	Rivet, closed end, for all models	8 or 16
11	380-6811	Mounting hardware, socket for all models	4 to 12

* Items not shown on drawing

Item No.	Part No.	Description	No Req'd
12	006-3034	Socket plate, 3 lamp T8 / T12 models, except HO	2
12A	006-3024	Socket plate, 2 lamp T8 / T12 models, except HO	2
12B	006-3044	Socket plate, 4 lamp T8 models	2
12C	006-3022	Socket plate, 2 lamp, 2 ft. / 4 lamp, 4 ft. CF model	2
12D	006-3032	Socket plate, 3 lamp, 2 ft. / 6 lamp, 4 ft. CF model	2
12E	006-3028	Plate, socket mount, 2 lamp HO models	2
12F	006-3038	Plate, socket mount, 3 lamp HO models	2
13	754-8701	Socket, Bi-pin, for all T8 / T12 models, except HO	4, 6 or 8
13A	752-6050	Socket, 2G11 type, for all CF models	2,3,4 or 6
13*	752-5766	Support, lamp, for all CF models	2,3,4 or 6
13B	758-0700	Socket, RDC, fixed for all T12 HO models	2 or 3
13C	758-0701	Socket, RDC, spring loaded for all T12 HO models	2 or 3
13D	758-0005	Socket, T5 set	1 set
14	380-1435	Grounding hardware assembly for all models	1 set
15	380-1812	Mounting hardware, ballast for all models	2 or 4 sets
16		Ballast (see ballast chart page for correct type)	1 or 2
17		Lamps (see lamp chart page for correct type)	1 - 6