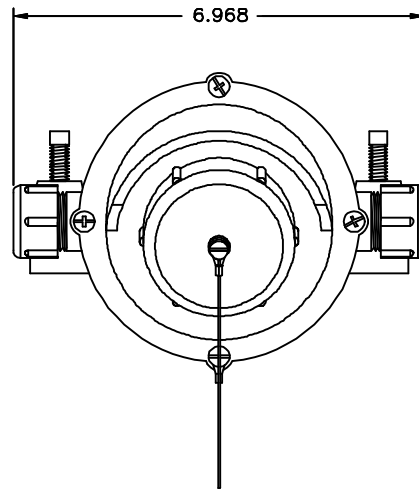




Lighting Products



# ***PPR SERIES***

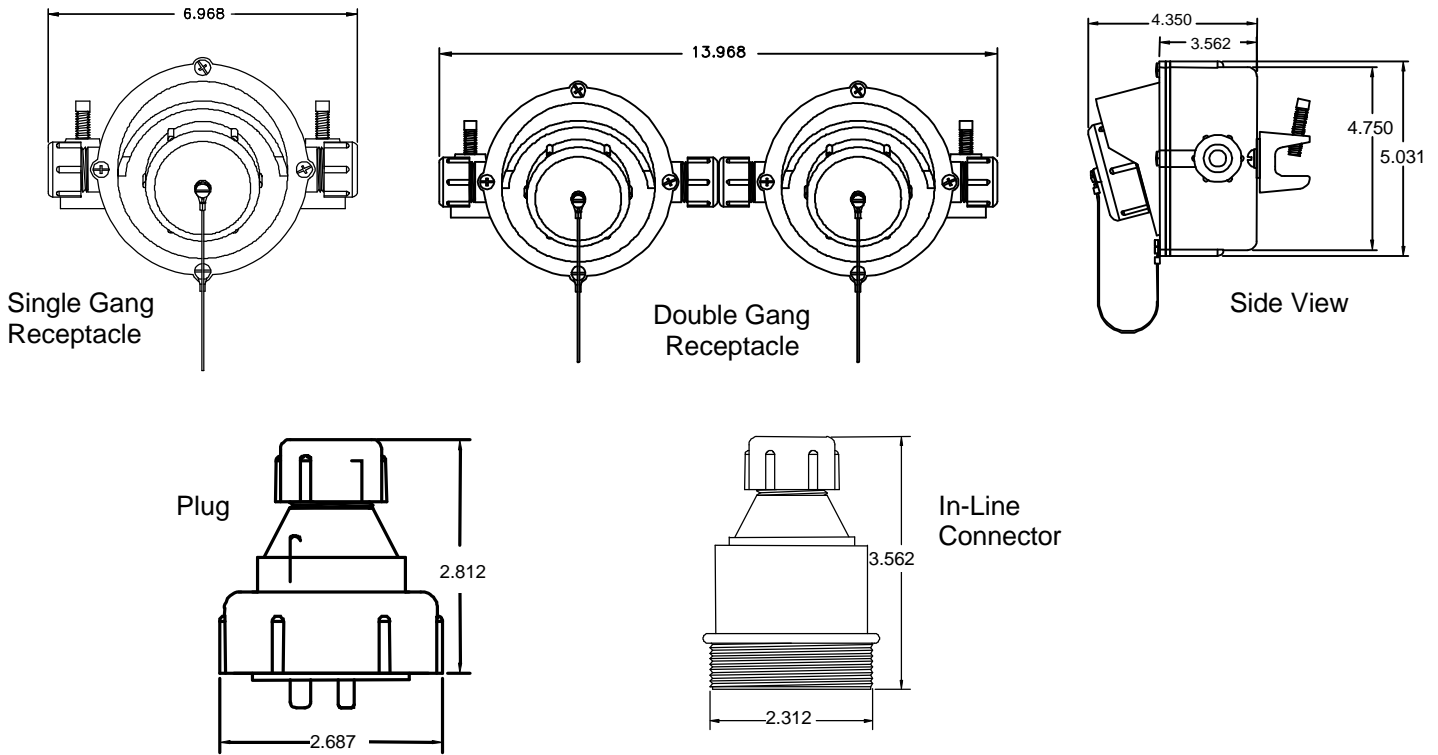
## ***Non-Metallic Plug, Receptacle & In-Line Connector***

### **Features:**

- Constructed from corrosion resistant Zytel (nylon).
- High impact resistant.
- Captive gasket ensures watertight seal and allows for quick and easy assembly in-the-field.
- Rated 20 Amp, 300 volt maximum.
- Stainless steel hardware.
- In-line connector has an integral protector to prevent thread damage.
- Jumper wires are provided on double gang receptacles.
- Ready to wire and assemble.
- Beam clamp mounting.
- Compatible with existing brands.
- Complete range: 2P3W, 3P4W, In-line.

### **Applications:**

- Land Based/Offshore Drilling
- Industrial Wet Locations
- Marine Environments



Part Number	Description	Voltage	Weight
PR-123-BC	Single gang receptacle	20 Amp 2P3W	1.5 lbs
PR-124-BC	Single gang receptacle	20 Amp 3P4W	1.5 lbs
PR-223-BC	Double gang receptacle	20 Amp 2P3W	2.5 lbs
PR-224-BC	Double gang receptacle	20 Amp 3P4W	2.5 lbs
PC-1-3	In-Line Connector	20 Amp 2P3W	.2 lbs
PC-1-4	In-Line Connector	20 Amp 3P4W	.2 lbs
PP-123	Plug	20 Amp 2P3W	.2 lbs
PP-124	Plug	20 Amp 3P4W	.2 lbs

**Housing**

6/6 corrosion resistant Zytel (nylon) black enclosure with a retained socket cap.

**Hardware**

Stainless steel.

**Outlets**

Suitable for cable .375" to .675".

**Voltage Operation**

Rated for operations up to max 20 Amp 300VAC.

**Mounting**

Flexible mounting and positioning via two adjustable beam clamps.