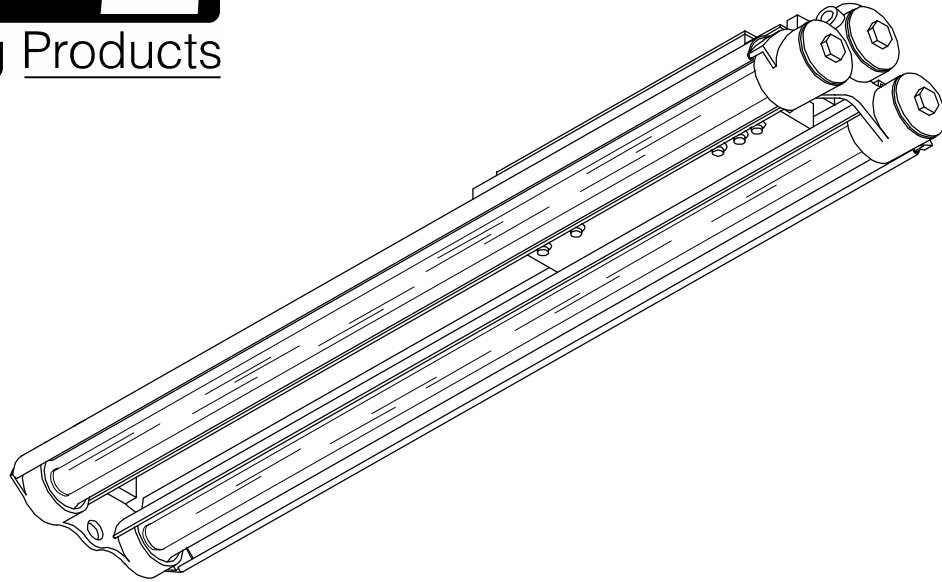
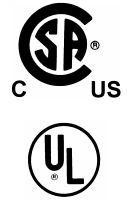




Lighting Products

- CSA - Class I Div. 1 & 2 - Groups C & D
- CSA - Class I Zone 1 - Groups IIA & IIB
- CSA - Class II Div. 1 & 2 - Groups E, F & G
- CSA - Class III, Type 3 Enclosure
- UL 844 - Class I Div. 1 & 2 - Groups C & D
- UL 844 - Class II Div. 1 & 2 - Groups E, F & G
- UL Outdoor Marine Type (Salt Water)
- Paint Spray Booth Approved



ZonePro

Explosion Proof Fluorescent

Features:

- **Cast aluminum** ballast box complete with **o-ring**.
- No dirt collecting fins on ballast box, with **lowest temperature rating available (T6)**.
- **Cast ends & caps** complete with **o-rings**.
- **Extruded aluminum reflectors**, finished with a **high reflectance** baked white enamel.
- **Sharp cut off** (80 degrees) 160 degree total lumen distribution.
- Standard clear **tempered borosilicate glass tubes**.
- **Spring loaded sockets** on all T8 & T12 models.
- **2 & 4 foot models** with T8 or T12, 2 lamp, 2 tube design and T8 or T12, 4 lamp, 4 tube design.
- **2 & 4 foot models** with. T5, 2 lamp 2 tube or **4 lamp 2 tube**.
- Available with **2, 24 or 54 watt T5 lamps in each tube**.
- **Compact fluorescent** designs, 2 lamp, 2 foot & 4 lamp, 4 foot (2 tube models).
- All fixtures **shipped** complete with **lamps installed**.
- **Mounting options** are available for either **bracket** or **pendant mount**.

Applications:

- | | |
|---|------------------------------|
| ■ Aircraft maintenance & inspection areas | ■ Refineries |
| ■ Paint manufacturing plants | ■ Inside paint spray booths |
| ■ Solvent handling & cleaning areas | ■ Fuel dispensing facilities |
| ■ Oil drilling rigs (land & offshore) | ■ Gas processing plants |

ZonePro

Catalog Number Logic

ZP **4** - **2** **8** **1** **3** **U** - ******
(1) (2) (3) (4) (5) (6) (7) (8)

(1) Series - ZonePro “ZP”

Cast aluminum end caps & ballast box, impact resistant tempered glass tubes and extruded aluminum reflectors.

(2) Length (nominal)

- 2 - 2 foot
- 4 - 4 foot

(3) Number of Lamps

- 2 - For 2 lamps
(2 - tube design for all ballast types)
- 4 - For 4 lamps
(2 - tube design for ballast type 2 & 5)
(4 - tube design for all other ballast types)

(4) Ballast Type

- 1 - 265 mA, T8 (2ft 17w or 4ft 32w)
(0° F & -18° C starting temp, 50/60Hz electronic ballast)
- 2 - 270 mA, 2G11 (2ft or 4ft 40w compact fluorescent)
(0° F & -18° C starting temp, 50/60Hz electronic ballast)
- 4 - 430 mA, T12, RS (4ft 40w)*
(+50° F & +10° C starting temp, magnetic ballast)
- 5 - T5 HO IS (2ft 24w or 4ft 54w)
(0° F & -18° C starting temp, 50/60Hz electronic ballast)
- 8 - 800 mA, T12, RS, HO (2ft 35w or 4ft 60w)
(-20° F & -29° C starting temp, magnetic ballast)
- 15 - 1500 mA, T12, RS, VHO (4ft 110w)
(-20° F & -29° C starting temp, magnetic ballast)

(5) Voltage / Frequency

- 1 - 120 Volt 60 Hz
- 2 - 220 Volt 50 Hz (T12 magnetic only, not CSA listed)
- 3 - 220 to 240 Volt 50/60 Hz. (ballast types 1 & 2 only)
- 4 - 240 Volt 60 Hz (T12 magnetic only)
- 5 - 277 Volt 60 Hz
- 6 - 347 Volt 60 Hz **
- 7 - 120 to 277 Volt 50/60 Hz (ballast type 1 & 5)

(6) Mounting Style

- 1 - Pendant mounting, ½” npt. hub added to power end. ZP1050 pendant bracket included. (For 2 lamp models only.)
- 3 - End mounting, standard design
(brackets supplied, see mounting options)

(7) Labels:

- U - UL
- C - CSA (C/US)
- M - Dual labels (UL & CSA)

(8) Special Options

- CR - Corrosion resistant design
- EM2 - Emergency ballast (all areas, 700 lumen*)
- EM3 - Emergency ballast (all areas, 1200 lumen*)
- PS - Polycarbonate shield
- WG - Wire guard (stainless steel)

Notes:

1. **Lamps are included.**
2. **Emergency units do not have test switch or charging circuit indicator lamp. (explosion proof test switch available, consult factory)**
3. *** Limited availability, consult factory.**
4. **** CSA (C/US) approved only.**
5. **Consult factory for any catalog number or options not listed above for price and availability.**

ZonePro

Ordering Guide, 120 Volt only

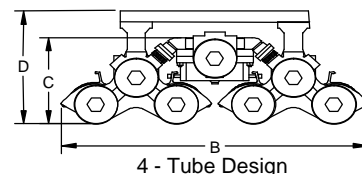
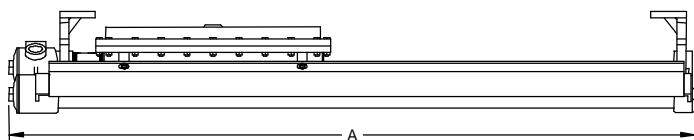
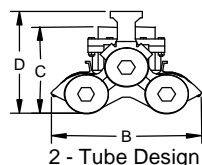
Nominal Length	Ballast Type	Lamp Type	Number of Lamps	Raw Lumen Output	Catalog Number
Two Foot (Two Tube)	Electronic	F17T8	2	2,393	ZP2-2113C
		F24T5HO	2	4,000	ZP2-2511C
		FT40W/2G11	2	6,300	ZP2-2213C
	Magnetic	F24T12/HO	2	2,689	ZP2-2813C
Four Foot (Two Tube)	Electronic	F32T8	2	6,962	ZP4-2113C
		F24T5	2	10,000	ZP4-2511C
		FT40W/2G11	4	12,600	ZP4-4213C
	Magnetic	F48T12/HO	2	6,885	ZP4-2813C
Four Foot (Four Tube)	Electronic	F24T5	4	20,000	ZP4-4511C
		F32T8	4	13,924	ZP4-4113C
	Magnetic	F48T12/HO	4	13,770	ZP4-4813C

Notes: For mounting style "1" (pendant mount) change last number "3" to "1"

Certification Guide

All approvals are based on 40 degree C ambient temperatures		Class I Div.1 Groups C & D		Class II Div. 1 & 2		Class I Zone 1 Groups IIA & IIB	
Ballast Type	No. of Lamps	Approval	T-Rating	Approval	Groups	Approval	Groups
Electronic, T5, HO, IS	2 & 4	cULus	T6	cULus	E, F & G	CSA	T6
Electronic, 265mA, T8, RS	2 & 4	CSA/UL	T6	CSA/UL	E, F & G	CSA	T6
Electronic, 270mA, 2G11, RS	2 & 4	CSA/UL	T6	CSA/UL	E, F & G	CSA	T6
Magnetic, 430mA, T12, RS	2 & 4	CSA/UL	T6	CSA/UL	E, F & G	CSA	T6
Magnetic, 800mA, T12, HO	2 & 4	CSA/UL	T6	CSA/UL	E, F & G	CSA	T6
Magnetic, 1500mA, T12, VHO	2 & 4	CSA/UL	T5	CSA/UL	E, F & G	CSA	T5

Dimensions

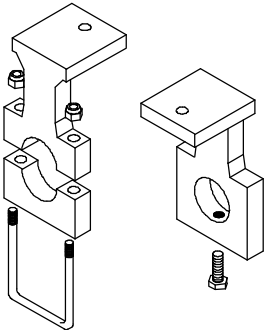


Nominal Length	Dimensions in Inches / Centimeters				Cubic Size Feet / Meter	Weight lb. / kg
	A	B	C	D		
2 Foot, 2 Tube	27.5 / 69.9	11.3 / 28.6	7.3 / 18.6	8.5 / 21.6	2.45 / 0.0694	57.0 / 25.9
4 Foot, 2 Tube	51.5 / 130.8	11.3 / 28.6	7.3 / 18.6	8.5 / 21.6	4.95 / 0.1402	66.5 / 30.2
4 Foot, 4 Tube	51.5 / 130.8	23.5 / 59.7	7.3 / 18.6	9.5 / 24.1	7.20 / 0.2039	124.0 / 56.4

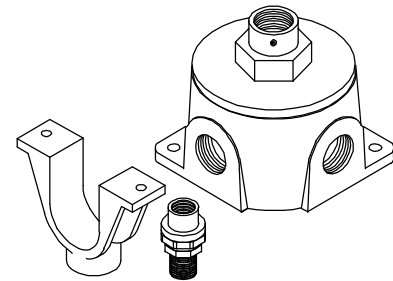
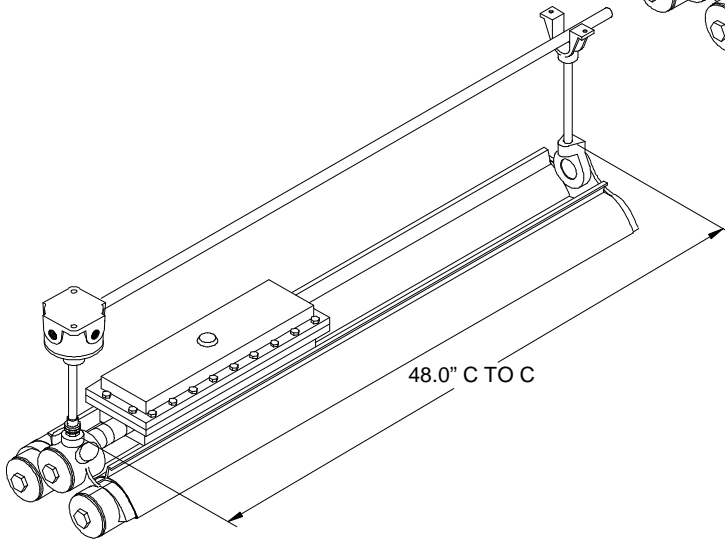
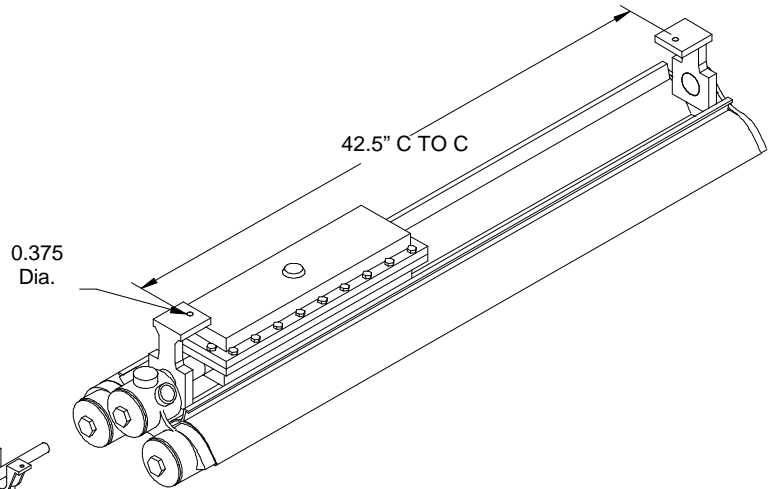
Weights shown are for 2 lamp HO models.
Deduct 5 lbs. / 2.2 kg. for all other 2 lamp models.

ZonePro

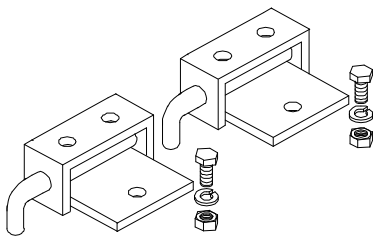
Mounting Options



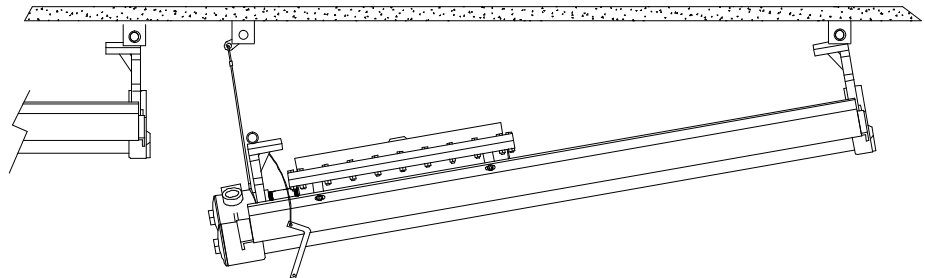
ZP1093MTK Surface mounting kit.
Consisting of 2 fixture brackets
(Supplied with fixture if mounting style "3" is ordered)



ZP1095MTK Pendant kit.
Consists of 1 - 1/2" union, saddle strap,
Class I, Div.1 box & cover (1/2" npt hubs)
(For use with mounting style "1")

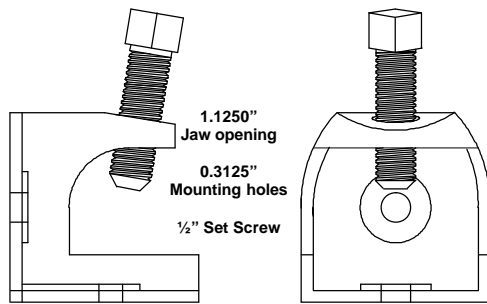


ZP1099MTK Drop bracket mounting kit.
Consists of 2 drop brackets & support cable.
2 kits required for 4-lamp model (ZP1093 kit required)

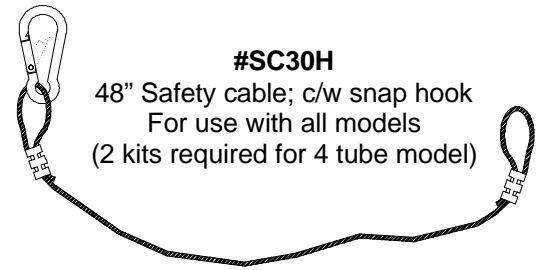


ZonePro

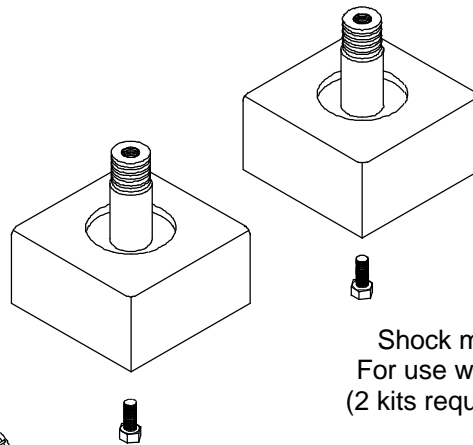
Accessories



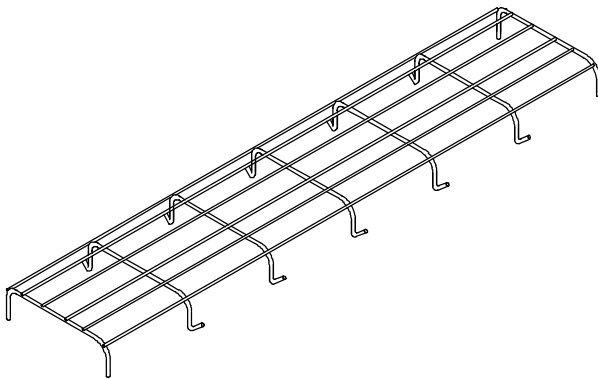
BC2K
Beam clamp kit (2 pcs.)
For use with standard brackets
(2 kits required for 4 tube model)



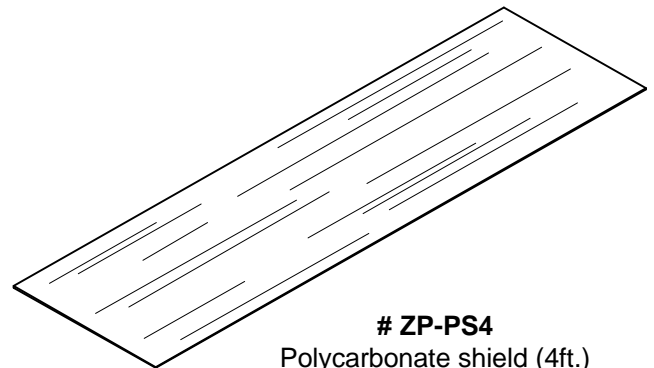
#SC30H
48" Safety cable; c/w snap hook
For use with all models
(2 kits required for 4 tube model)



SM2K
Shock mounting kit (2 pcs.)
For use with standard brackets
(2 kits required for 4 tube model)



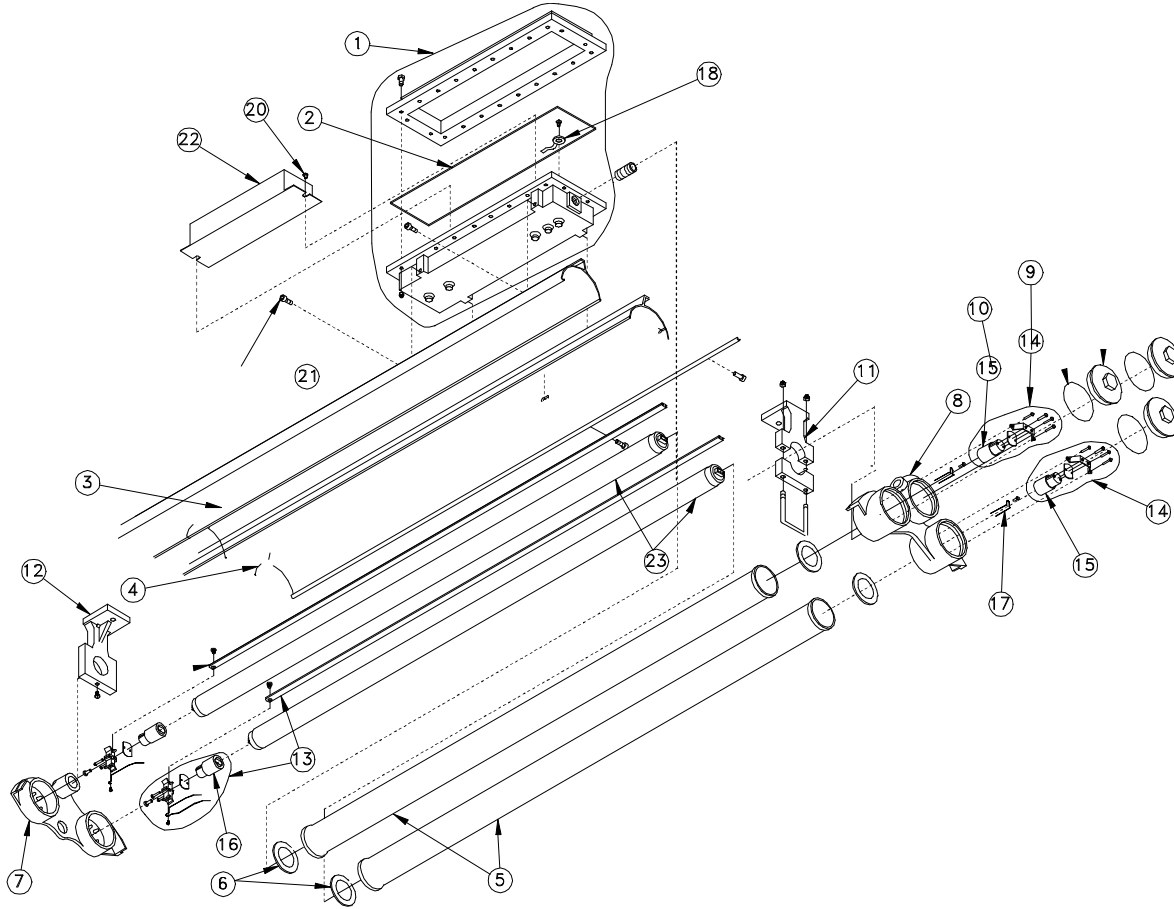
ZP-WG4
Stainless steel wire guard (4ft.)
For 2 foot model change "4" to "2"
(2 required for 4 tube model)



ZP-PS4
Polycarbonate shield (4ft.)
For 2 foot model change "4" to "2"
(2 required for 4 tube model)

ZonePro

Parts List



*Item not shown on drawing.

Item No.	Part No.	Description	No Req'd	Item No.	Part No.	Description	No Req'd
1	004-1000	Ballast box complete assembly	1	13*	004-3404	Assem., socket and wire-way (T8/T12RS)	2
2	004-1020	Gasket, for ballast box	1	13*	004-3402	Assem., socket and 2 ft. wire-way (T8)	2
3	004-4300	Reflector, left or right side for all 4 ft. models	1	13*	004-3204	Assem., socket and wire-way (2G11- CF)	2
4		Reflector, left or right side for all 2 ft. models	1	13*	004-3202	Assem., socket and 2 ft. wire-way (2G11-CF)	2
3*	004-2300	Reflector, left or right side for all 4 ft. models	1	14	004-3800	Assem., socket / strap, re-lamp end (HO)	2
4*		Reflector, left or right side for all 2 ft. models	1	15	754-5402	Socket, HO, spring loaded with 20" leads	2
5	Factory installed Only	Tube, glass for all 4 ft. models	2	15*	754-5422	Socket, RS, spring loaded with 20" leads	2
5*		Tube, glass for all 2 ft. models	2	15*	752-6050	Socket, 2G11 type, for all CF models	2 or 4
6		Fiber gasket, btwn. glass and casting	4	16	754-5406	Socket, HO, spring loaded with 72" leads	2
7		Casting, non-power / blind end	1	16*	754-5426	Socket, RS, spring loaded with 72" leads	2
8		Casting, power / re-lamp end	1	16*	754-0005	Socket, T5 HO fixed & spring set	1 set
9		Casting, cap for re-lamp end	3	17	004-3000	Clip assem., to secure wire-way, all models	2
10		004-1030	Gasket, for re-lamp cap	3	18	380-1440	Grounding hardware assembly all models
11	104-1053-2	Bracket, 2 pc. for re-lamp end	1 or 2	20	380-2551	Mounting hardware, ballast for all models	2
12	104-1053	Bracket, for blind end	1 or 2	21	380-2511	Mounting hardware, ballast box to reflectors	4
12*	104-1050	Bracket, pendant mtg, blind end	1	22	Ballast (see ballast chart page for type)		1 or 2
13	004-3804	Assem., socket and wire-way (HO)	2	23	Lamps (see lamp chart page for type)		2 or 4
13*	004-3802	Assem., socket and 2 ft. wire-way (HO)	2				