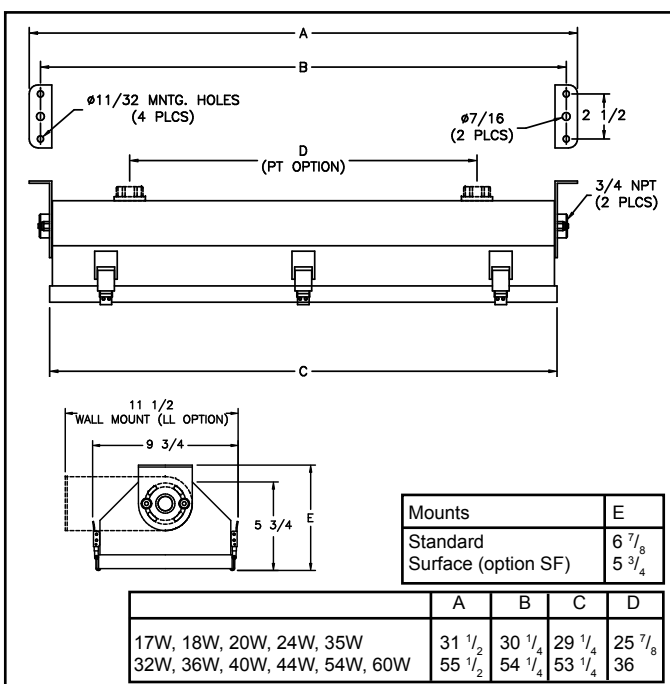




FEATURES

- ▼ Positive-locking spring loaded stainless steel latches and a one piece neoprene gasket provide a watertight seal.
- ▼ Shoc•Loc™ bi-pin spring loaded lampholders for double ended lamps provide a positive contact and resistance to shock and vibration while maintaining positive electrical pin contact. Standard for T5, T8 and T12 lamp types.
- ▼ Available in one, two and three lamp units.
- ▼ Supplied in 120v 60Hz HPF as standard. Other options in 220v 50Hz, 220v 60Hz and 277v 60Hz also available.
- ▼ Available in 17w, 18w, 20w, 24w, 32w, 35w, 36w, 40w, 44w, 54w and 60w fluorescent.
- ▼ Adjustable mounting brackets allow a 110° range of mounting positions.
- ▼ Low temperature rated ballast 0° F (-18° C) standard on T5 and T8; T12 HO linear fluorescents -20° F (-29° C).
- ▼ Emergency versions available.
- ▼ 5 year warranty.

DIMENSIONS



Dimensions in inches

APPROVALS

- ▼ UL 844 - Hazardous Location
Class I Division 2 Groups A, B, C and D
Class I Zone 2 Groups IIA, IIB, IIB+ H2 and IIC
- ▼ UL 924 - Emergency Lighting Equipment
- ▼ UL 1598A - Marine Outside Type Saltwater
- ▼ CSA
Class I Division 2, Groups A, B, C and D
Class II Division I, Groups E, F and G
Class III
- ▼ IP 66
- ▼ Type 4X
- ▼ ABS

APPLICATIONS

- ▼ Hazardous Locations
- ▼ Marine and wet environments
- ▼ Offshore oil and gas exploration and production
- ▼ Salt and potash mines
- ▼ Water treatment facilities
- ▼ Industrial wash pits
- ▼ Salt and potash mines
- ▼ Petrochemical

OPTIONS

To obtain a luminaire with any of the options listed below, please add the following suffix to the part number (not all options can be combined):

- ▼ Type 316 Stainless Steel Housing /316
- ▼ Terminal Block T
- ▼ Shock Mount SM
- ▼ Surface Mount SF
- ▼ Wall Mount LL
- ▼ Pendant Mount 3/4" NPT PT
- ▼ Fused Ballast (not for marine use) F
- ▼ Tempered Glass Lens TG
- ▼ Dual Safety Cable Attachment Points W
- ▼ Emergency Ballast (1 lamp) EM*
- ▼ Emergency Ballast (2 lamps) EM2**
- ▼ 120-277 50/60Hz (17, 24, 32, 35, 54 & 60w) -127
- ▼ 220VAC 50Hz -225
- ▼ 220VAC 60Hz -226
- ▼ 277VAC 60Hz -276

* 24w or 54w Marine Only.

** Not available in 24w, 35w, 54w or 60w.

HAZARDOUS LOCATIONS CLASS I DIVISION 2 OUTSIDE TYPE SALTWATER MARINE STAINLESS STEEL AND ALUMINUM FLUORESCENT LUMINAIRES WITH FLAT LENS



LUMINAIRE TECHNICAL SPECIFICATIONS

HOUSINGS

Available in type 304 stainless steel with a natural finish and stainless steel mounting fittings or in copper free aluminum with an oven-cured polyester powder coat protective finish and aluminum mounting fittings with a natural finish.

LENS FRAME AND LATCHES

Stainless steel for all types.

LENS

Polycarbonate flat lens as standard.

REFLECTOR

White high gloss powder coated aluminum.

LAMP HOLDERS

Shoc♦Loc™ bi-pin spring loaded lampholders for double ended lamps provide a positive contact and resistance to shock and vibration while maintaining positive electrical pin contact. Standard for T5, T8 and T12 lamp types.



MOUNTINGS

Through (4) \varnothing $\frac{11}{32}$ " or (2) \varnothing $\frac{7}{16}$ " mounting holes provided on the adjustable brackets.

GASKETS

One piece neoprene gasket provides a watertight seal between the lens and housing.

LAMP TYPE

All luminaires supplied with lamps.

BALLAST

A High Power Factor (HPF) 120v 60Hz ballast is supplied as standard. 17w, 20w, 24w, 32w, 40w and 54w luminaires are rated for starting in temperatures down to -18°C (0°F). 35w, 44w (solid state) and 60w luminaires are rated for temperatures down to -29°C (-20°F). 18w and 36w are available in 230v 50Hz only. Other voltage options and emergency ballasts are available. All ballast electronic with the exception of 20w T12. Magnetic ballasts are available, please contact factory.

OUTLETS

All units are supplied with two $\frac{3}{4}$ " NPT outlets, one plugged, providing a thru-feed service where required.

AMBIENT & OPERATING TEMPERATURE

17, 18, 20 & 32 watt are rated at 40/55° C with a temperature code of T5/T4A. The 35, 36, 40, 44 & 60 watt are rated 40° C, T3C, except the 3 lamp 35 & 60 watt luminaires are rated 25° C, T3C.

ORDERING REFERENCES

FLUORESCENT LUMINAIRES						
DESCRIPTION	NO OF LAMPS	LAMP TYPE	FWFN ALUM	WT (lbs)	FWFN SS	WT (lbs)
17w	One		FWFN117A	14.1	FWFN117S	20.0
263 MA	Two	F17T8	FWFN217A	14.4	FWFN217S	19.0
24" Lamp	Three		FWFN317A	17.2	FWFN317S	23.1
*18w	One		FWFN118A	15.2	FWFN118S	21.0
360 MA	Two	F18T8	FWFN218A	15.4	FWFN218S	21.3
24" Lamp	Three		FWFN318A	19.2	FWFN318S	25.1
20w Trigger Start	One		FWFN120A	14.0	FWFN120S	21.1
24" Lamp	Two	F20T12	FWFN220A	15.5	FWFN220S	20.0
	Three		FWFN320A	19.4	FWFN320S	25.2
24w High Output	One		FWFN124A	14.1	FWFN124S	20.0
	Two	F24T5	FWFN224A	14.4	FWFN224S	20.3
	Three	/HO	FWFN324A	17.2	FWFN324S	23.1
32w	One		FWFN132A	19.8	FWFN132S	30.6
265 MA	Two	F32T8	FWFN232A	20.3	FWFN232S	31.0
48" Lamp	Three		FWFN332A	23.3	FWFN332S	34.1
35w High Output 800 MA	One		FWFN135A	12.4	FWFN135S	26.2
24" Lamp	Two	F24T12	FWFN235A	12.6	FWFN235S	26.0
	Three		FWFN335A	8.4	N/A	N/A
*36w	One		FWFN136A	20.8	FWFN136S	31.6
440 MA	Two	F36T8	FWFN236A	21.3	FWFN236S	32.1
48" Lamp	Three		FWFN336A	25.3	FWFN336S	36.1
40w	One		FWN140A	20.9	FWFN140S	31.0
430 MA	Two	F40T12	FWN240A	21.5	FWFN240S	33.0
48" Lamp	Three		FWN340A	25.6	N/A	N/A
44w High Output 800 MA	One		FWFN144A	21.3	FWFN144S	32.1
48" Lamp	Two	F48T8	FWFN244A	21.8	FWFN244S	33.0
	Three	/HO	FWFN344A	26.4	N/A	N/A
54w High Output	One		FWFN154A	19.8	FWFN154S	30.6
	Two	F54T5	FWFN254A	20.3	FWFN254S	31.1
	Three	/HO	FWFN354A	23.3	FWFN354S	34.1
60w High Output 800 MA	One		FWFN160A	21.8	FWFN160S	33.3
48" Lamp	Two	F48T12	FWFN260A	23.3	FWFN260S	36.3
	Three	/HO	FWFN360A	23.5	N/A	N/A

* Available in 230v 50Hz only.

SPARE PARTS			
BALLASTS 120V AC 60HZ		LAMPS	
1 x 17w	FX5173	17w	FX3528
2 x 17w	FX5260	18w	FX3562
1 x 20w	FX5058	20w	FX3506
2 x 20w	FX5032	24w	FX3568
1 x 24w	FX5307	32w	FX3527
2 x 24w	FX5307	35w	FX3507
1 x 32w	FX5173H	36w	FX3557
2 x 32w	FX5260H	40w	FX3504
1 x 35w	FX5100	44w	FX3565
2 x 35w	FX5027	54w	FX6567
1 x 40w	FX5054	60w	FX3505
2 x 40w	FX5010		
1 x 44w	FX5287		
2 x 44w	FX5287	GASKETS	
1 x 54w	FX5305	29 1/4"	GKT6088-69.5
2 x 54w	FX5305	53 1/4"	GKT6088-117.5
1 x 60w	FX5044		
2 x 60w	FX5027		
230V AC 50HZ		MOUNTS	
1 x 18w	FX5237	Wall	FX7031S/A
2 x 18w	FX5239	Standard	FX7027S/A
1 x 36w	FX5238	Surface	FX7022S/A
2 x 36w	FX5240	Pipe Mount Kit	FX7023
		Chain Mount Kit	FX7025
		Shock Mount	FX7004A
FLAT LENS		BEAM CLAMP KIT	
29 1/4"	FX2134	(Safety Cable & Cord connector)	
53 1/4"	FX2135	FX7028	
EMERGENCY BALLAST			
120-277v AC	FX5128HDU		
LAMP HOLDERS		Stationary	Spring
35w, 44w, 60w		FX4004	FX4005
17w, 18w, 20w, 24w, 32w, 36w, 40w, 54w		FX4008	FX4009