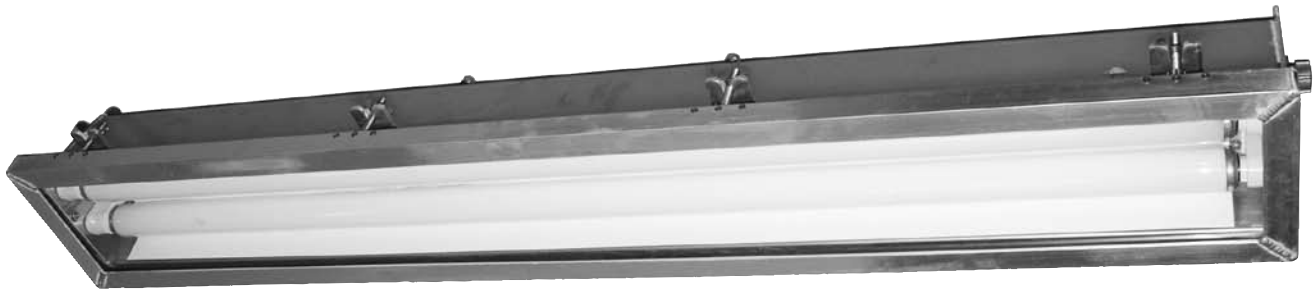




- Class I, Division 2, Groups A, B, C, D
- Class 1, Zone 2, Groups IIA, IIB & IIC
- Class II, Division 2, Groups F & G
- Class III
- UL 844
- UL 1598
- Type 4



## RigPro

### Hazardous Area Fluorescent

#### Features:

- Rugged heavy gage aluminum housing and lens frame.
- 1 or 2 optional 1/2" NPT or 3/4" NPT hubs.
- Emergency Battery back-up version available.
- White high gloss powder coat aluminum reflector provides consistent light dispersion.
- Direct or optional bracket mount for maximum versatility.
- Dual spring loaded lampholders provide positive contact and resistance to shock and vibration.
- Available in T5 & T12 linear fluorescent models. All luminaires supplied with lamps.
- Impact resistant clear polycarbonate lens.
- Maintenance friendly swing bolt latch system allows for tool-less entry.
- Permanent fixed safety cable attachment points at each end.
- Lens, ballast and lampholders are easily field replaceable to lower overall cost of ownership.
- Purpose built ballast anchor point facilitates easy ballast replacement without removing fixture from service.
- One piece neoprene gasket provides a Type 4 watertight seal.

#### Applications:

- |                              |                             |
|------------------------------|-----------------------------|
| ■ Oil Drilling Rigs          | ■ Surface Mining Operations |
| ■ Bulk Storage Facilities    | ■ Petrochemical Facilities  |
| ■ Hazardous Material Storage | ■ Pipeline Pumping Stations |
| ■ Lubrication Pits           | ■ Paint Storage Areas       |



# RigPro

## Catalog Number Logic

**62**  
(1)

**A**  
(2)

**800**  
(3)

**4**  
(4)

**A**  
(5)

**C**  
(6)

- (1) **Series**  
RigPro "62"
- (2) **Housing**  
A - Aluminum linear fluorescent.
- (3) **Lamp Type**  
800 = 60/35 watt T12 HO  
354 = 54/24 watt T5 HO
- (4) **Nominal Length**  
2 = 2' Nominal fixture length  
4 = 4' Nominal fixture length
- (5) **Voltage/Frequency**  
A = 120 vac, 60 Hz  
B = 220 vac, 60 Hz  
C = 277 vac, 60 Hz  
D = 220 vac, 50 Hz  
F = 347 vac 60 Hz  
G = 120-277 vac, 50/60 Hz

- (6) **Optional Features:**  
C = 1/2" NPT hub, one end  
D = 1/2" NPT hub, each end  
E = 3/4" NPT hub, one end  
EM\* = Emergency Ballast  
F = 3/4" NPT Hub, each end

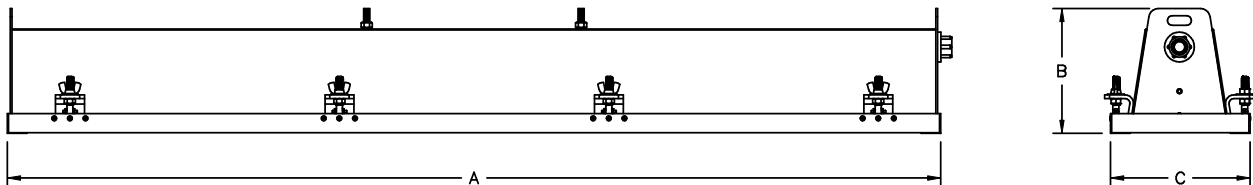
**Notes:**

- Lamps are included.**
- Emergency battery back up 90 minutes, single lamp. (\*60/35 watt T12 HO only).**
- Consult factory for any catalog number or option not listed above for price and availability.**

## Certification Guide

Approved for 40° C ambient.		Class I Division 2 A, B, C & D		Class I Zone 2 Groups IIA, IIB & IIC		Class II Division 2 Class III	
Ballast Type	No. of Lamps	Approval	T-Rating	Approval	T-Rating	Approval	Groups
Electronic, HO, T5, IS	2	CSA	T5	CSA	T5	CSA	F & G
800mA, T12, HO	2	CSA	T4A	CSA	T4	CSA	F & G

## Dimensions

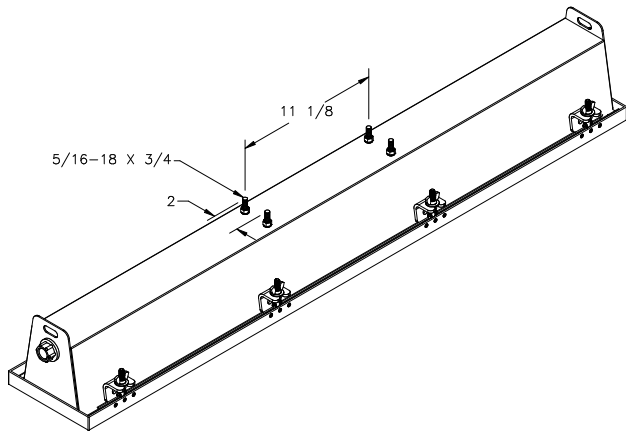


Dimensions in Inches / Centimeters						
Nominal Length	Wattage	A	B	C	Cubic Size Feet / Meter	Weight Lb. / Kg
2 Foot	35/24	24.50 / 62.22	8.00 / 20.32	7.25 / 18.41	0.82 / .023	17.0 / 7.7
4 Foot	60/54	48.50 / 123.18	8.00 / 20.32	7.25 / 18.41	0.82 / .023	28.0 / 12.7

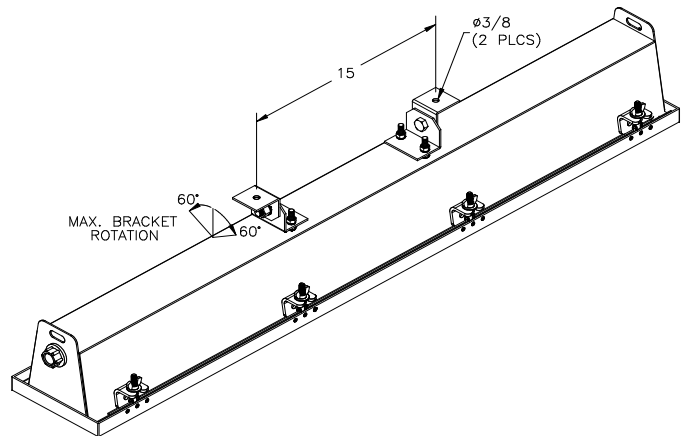
# RigPro

## Mounting Options

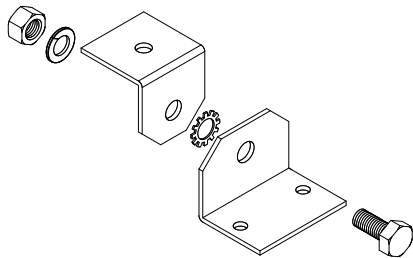
### Standard Mount



### Shown with (2) 5037 Mounting Kit

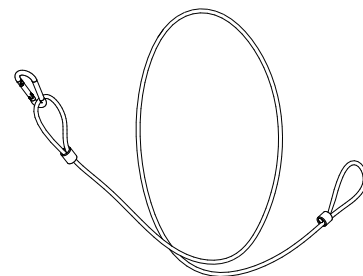


## Accessories



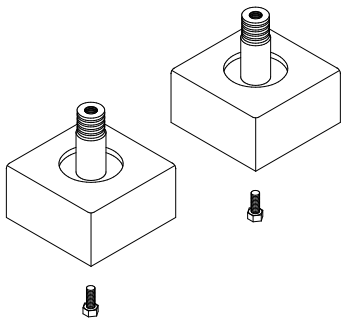
### 5037 -

Adjustable mounting bracket (1 per kit). Two required per fixture.



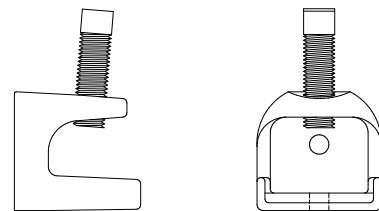
### SC30H -

48" Stainless steel safety cable with snap hook.



### SM2K -

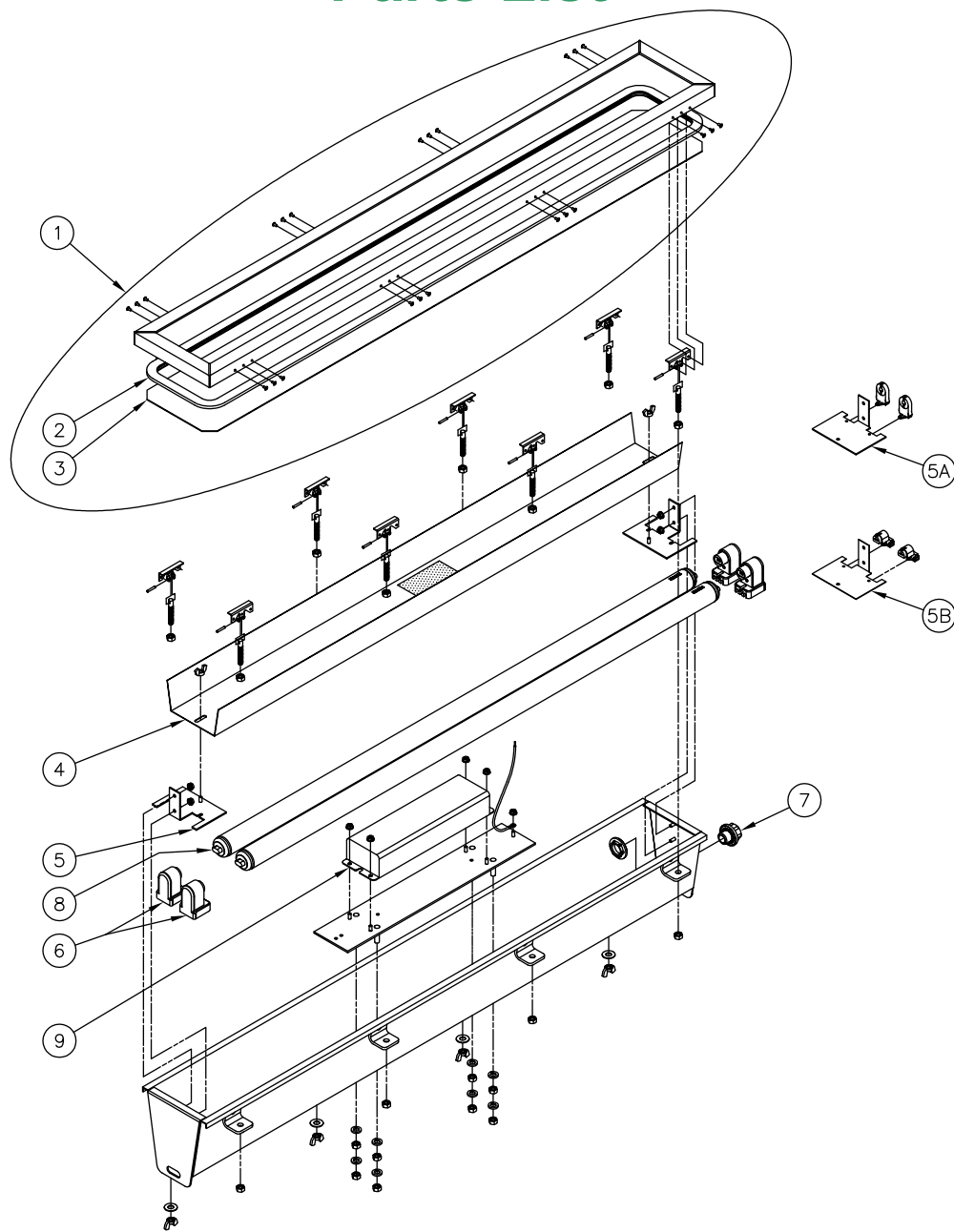
Shock mounting kit (2 pcs), for use with standard brackets.



### BC2K -

Beam clamp kit (2 pcs), for use with 5037 or SM2K.

# RigPro Parts List



Item No.	Part No.	Description	Item No.	Part No.	Description
1	010-4000	Lens/Frame/Gasket Assembly 4' Model	5A	010-7102	Socket Plate, T12/T8 RS Bi-Pin
1*	010-2000	Lens/Frame/Gasket Assembly 2' Model	5B	010-0005	Socket Plate, T5 HO Miniature Bi-Pin
2	010-4200	Gasket, Lens 4' Model	6	758-0523	Socket, T12/T8 HO RDC
2*	010-2200	Gasket, Lens 2' Model	6A	754-8701	Socket, T12/T8 RS Bi-Pin
3	010-4100	Lens, Polycarbonate, 4' Model	6B	758-0005	Socket, T5 HO Miniature Bi-Pin
3*	010-2100	Lens, Polycarbonate, 2' Model	7	360-0500	Hub, 1/2" NPT, Hazardous Area
4	010-4300	Reflector, 4' model, Coated White	7*	360-0750	Hub, 3/4" NPT, Hazardous Area
4*	010-2300	Reflector, 2' model, Coated White	8		Lamp (see lamp chart page for correct type)
5	010-0523	Socket Plate, T12/T8 HO RDC	9		Ballast (see ballast chart page for correct type)