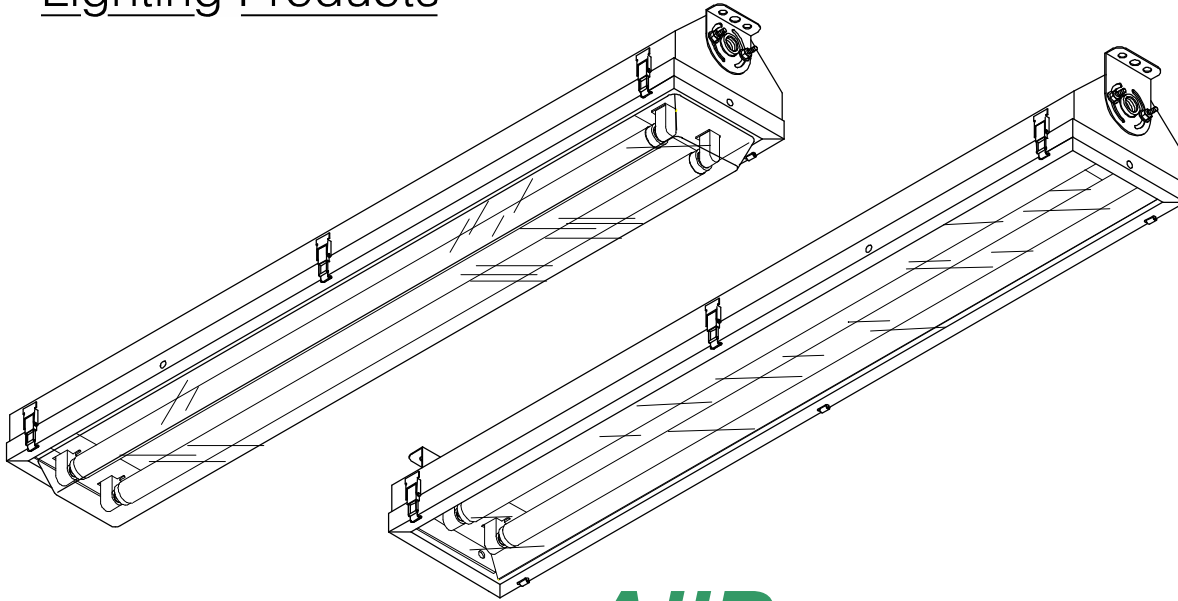




Lighting Products

- CSA - Class I Div. 2 - Groups A, B, C, & D
- CSA - Class I Zone 2 - Groups IIA, IIB & IIC
- CSA - Class II Div. 1 & 2 - Groups E, F & G
- CSA - Type 4X
- UL 844 - Class I Div. 2 - Groups A, B, C, & D
- UL - Type 4X
- UL - Outdoor Marine Type (Salt Water)



# AllPro

## Hazardous/Corrosive Area Fluorescent

### Features:

- 2 models available, stainless steel or polyester powder coated aluminum housing.
- The 316 stainless steel model is for maximum corrosion resistance.
- Stainless steel lens frame and latches on all aluminum and stainless steel models.
- 2 lens designs, flat or drop styles are available for either the stainless steel or aluminum models. Standard lens is impact acrylic for drop style, polycarbonate for flat.
- Optional flat tempered glass or drop style polycarbonate lens are available.
- Lens frame hinged on side for easy lamp replacement.
- Molded neoprene gasket and lens is field replaceable.
- High reflectance baked white enamel reflector.
- Spring loaded sockets on HO models.
- Locking sockets on RS models made of industrial grade high temperature PBT.
- Wide beam allowing for 140 degree total lumen distribution.
- Fixture can be rotated on longitudinal axis for optimum light positioning.
- 2 & 4 foot models with 2 or 3 lamp, T5, T8 or T12 designs.
- Compact fluorescent 2 or 3 lamp, 2 foot models & 4 lamp, 4 foot model.

### Applications:

- |                                  |  |
|----------------------------------|--|
| ■ Offshore drilling rigs         | ■ Marine vessels                       |
| ■ Offshore production facilities | ■ Petrochemical plants                 |
| ■ Process facilities             | ■ Marine loading terminals             |
| ■ Manufacturing plants           | ■ Waste or sewage treatment facilities |

# AllPro

## Catalog Number Logic

**AP S 4 - 2 1 1 0 M - \*\***  
(1) (2) (3) (4) (5) (6) (7) (8) (9)

### (1) Series - AllPro "AP"

Type 316 stainless steel or powder coated aluminum housing with stainless doorframe and latches.

### (2) Construction/Style

**A** - Aluminum housing in flat lens design  
**AD** - Aluminum housing in drop style lens design  
**S** - Stainless steel housing in flat lens design  
**SD** - Stainless steel housing in drop style lens design

### (3) Length (nominal)

**2** - 2 foot  
**4** - 4 foot

### (4) Number of Lamps

**1** - For 1 lamp  
**2** - For 2 lamps  
**3** - For 3 lamps (ballast types 1, 4, 5, & 8)  
**4** - For 4 lamps (4 foot unit, ballast type 2 only)

### (5) Ballast Type

**1** - 265 mA, T8 (2ft 17w, or 4ft 32w)  
(0° F & -18° C starting temp, 50/60Hz electronic ballast)  
**2** - 270 mA, 2G11 (2ft or 4ft 40w compact fluorescent)  
(0° F & -18° C starting temp, 50/60Hz electronic ballast)  
**4** - 430 mA, T12, RS (4ft 40w)\*  
(+50° F & +10° C starting temp, magnetic ballast)  
**5** - T5 HO IS (2ft 24w or 4ft 54w)  
(0° F & -18° C starting temp, 50/60Hz electronic ballast)  
**8** - 800 mA, T12, RS, HO (2ft 35w or 4ft 60w)  
(-20° F & -29° C starting temp, magnetic ballast)

### (6) Voltage / Frequency

**1** - 120 Volt 60 Hz.  
**2** - 220 Volt 50 Hz. (T12 magnetic only, not CSA listed)  
**3** - 220 to 240 Volt 50/60 Hz. (ballast types 1 & 2 only)  
**4** - 240 Volt 60 Hz. (T12 magnetic only)  
**5** - 277 Volt 60 Hz.  
**6** - 347 Volt 60 Hz.\*  
**7** - 120 to 277 Volt 50/60 Hz. (ballast types 1 only)

### (7) Mounting Style

**0** - End mounting, with feed-thru 3/4" npt. hubs.  
(AP1050MTK bracket kit supplied see mounting options)  
**1** - End mounting, with feed-thru 3/4" npt. hubs.  
(AP1051MTK bracket kit supplied see mounting options)  
**2** - Pendant mount, 3/4" npt. hubs  
(no mounting kit supplied)

### (8) Approvals:

**M** - UL and CSA dual labeled

### (9) Special Options

**EM1** - Emergency ballast, all areas, 700 lumen  
**L** - Lamps (energy saving except on HO)  
**P** - Polycarbonate lens (Std on Flat lens model)  
**TG** - Tempered glass lens (flat lens design only)  
**W** - Safety cable brackets

### Notes:

- \*Limited availability, consult factory.**
- Lamps are not included.**
- All emergency units have integral test switch and charging circuit indicator lamp.**
- Consult factory for any catalog number or options not listed above for price and availability.**

# AllPro

## Ordering Guide, 120 Volt Models

### Polycarbonate Flat Lens Type (Lamps not Included)

Nominal Length	Ballast Type	Lamp Type	Number of Lamps	Raw Lumen Output	Aluminum Catalog #	Stainless Steel Catalog #
Two Foot	Electronic	F17T8	2	2,502	APA2-2110M	APS2-2110M
			3	3,753	APA2-3110M	APS2-3110M
		F24T5/HO	2	4,000	APA2-2510M	APS2-2510M
			2	6,300	APA2-2210M	APS2-2210M
	Magnetic	F24T12/HO	2	2,689	APA2-2810M	APS2-2810M
			3	4,034	APA2-3810M	<b>Not Available</b>
Four Foot	Electronic	F32T8	2	6,962	APA4-2110M	APS4-2110M
			3	10,443	APA4-3110M	APS4-3110M
		FT40W/2G11	4	12,600	APA4-4210M	APS4-4210M
			4	15,000	APA4-3510M	APS4-3510M
		Magnetic	F48T12/HO	2	6,885	APA4-2810M
	3			10,328	APA4-3810M	<b>Not Available</b>

### Acrylic Drop lens Type (Lamps not Included)

Nominal Length	Ballast Type	Lamp Type	Number of Lamps	Raw Lumen Output	Aluminum Catalog #	Stainless Steel Catalog #
Two Foot	Electronic	F17T8	2	2,502	APAD2-2110M	APSD2-2110M
			3	3,753	APAD2-3110M	APSD2-3110M
		F24T5/HO	2	4,000	APAD2-2510M	APSD2-2510M
			2	6,300	APAD2-2210M	APSD2-2210M
	Magnetic	F24T12/HO	2	2,689	APAD2-2810M	APSD2-2810M
			3	4,034	APAD2-3810M	<b>Not Available</b>
Four Foot	Electronic	F32T8	2	6,962	APAD4-2110M	APSD4-2110M
			3	10,443	APAD4-3110M	APSD4-3110M
		FT40W/2G11	4	12,600	APAD4-4210M	APSD4-4210M
			3	15,000	APAD4-3510M	APSD4-3510M
		Magnetic	F48T12/HO	2	6,885	APAD4-2810M
	3			10,328	APAD4-3810M	<b>Not Available</b>

Notes: For ¾" pendant mounting style "2" change last number "0" to "2".

## Certification Guide

Magnetic ballast approved for 40 degree C ambient Electronic ballast approved for 55 degree C ambient		Class I Div. 2 Groups A, B, C & D		Class I Zone 2 Groups IIA, IIB & IIC	
Ballast Type	No. of Lamps	Approval	T-Rating	Approval	T-Rating
Electronic, HO, T5, IS	2 & 3	cULus	T3C	cULus	T3C
Electronic, 265mA, T8, RS	2 & 3	CSA/UL	T4	CSA	T3C
Electronic, 270mA, 2G11, RS	2 & 4	CSA/UL	T4	CSA	T3C
Magnetic, 430mA, T12, RS	2 & 3	CSA/UL	T4	CSA	T3C
Magnetic, 800mA, T12, HO	2 & 3	CSA/UL	T3C	CSA	T3C

For detailed test results and approvals consult factory

# AllPro

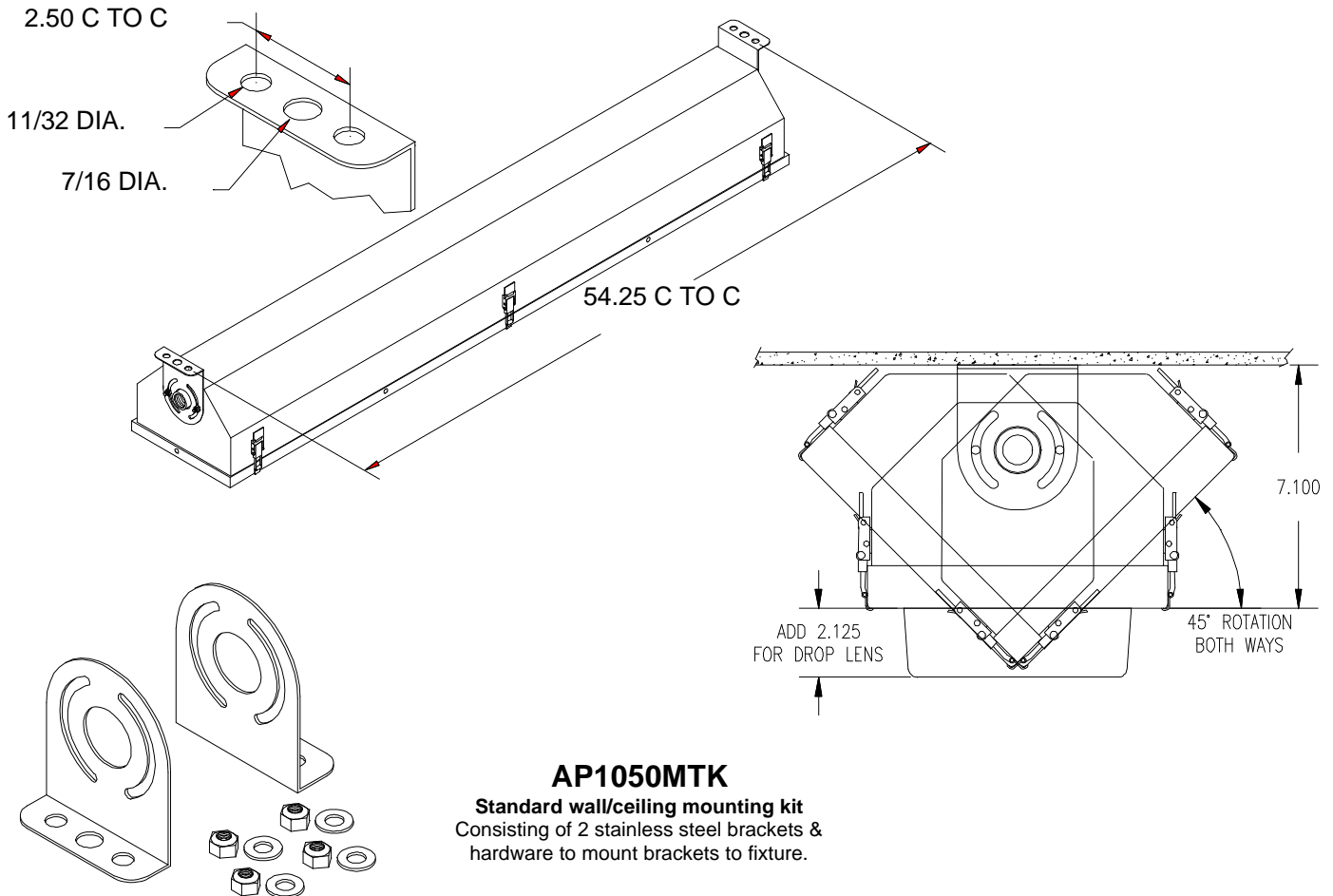
## Dimensions



Nominal Length	Dimensions in Inches / Centimeters						Cubic Size Feet / Meter	Weight lb. / kg
	A	B	C	D	E	F		
2 Foot	29.5 / 74.3	29.0 / 73.7	9.1 / 23.1	3.5 / 8.9	8.12 / 20.6	6.0 / 15.2	1.31 / 0.0371	33.0 / 15.0
4 Foot	53.3 / 135.4	53.0 / 134.6	9.1 / 23.1	3.5 / 8.9	8.12 / 20.6	6.0 / 15.2	2.34 / 0.0663	33.0 / 15.0

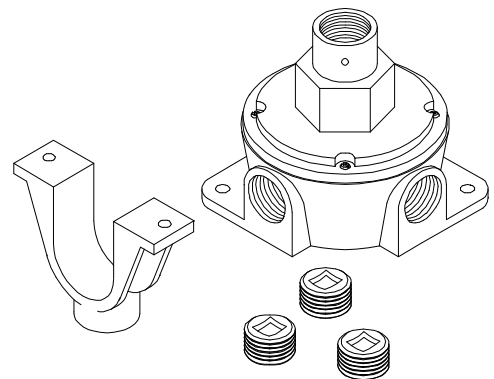
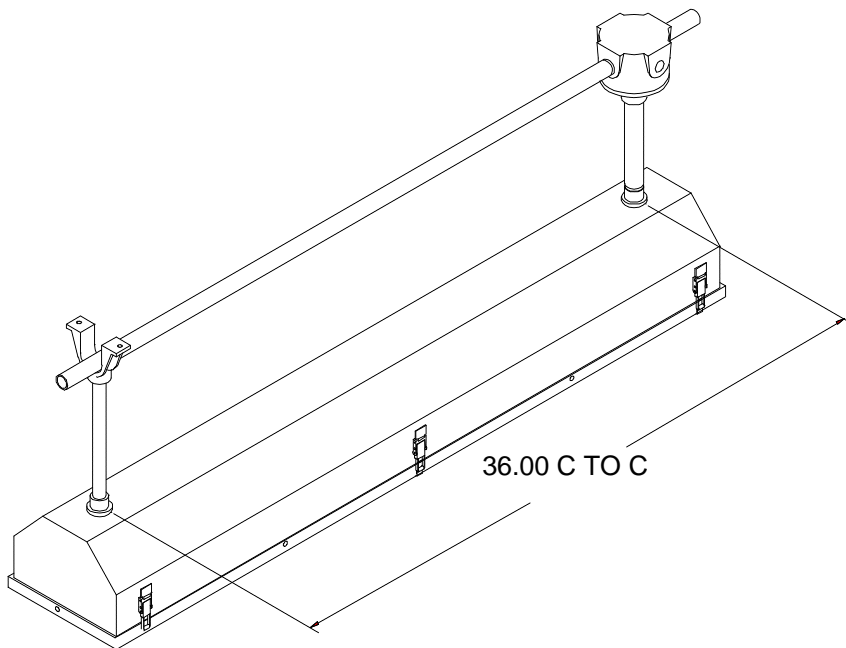
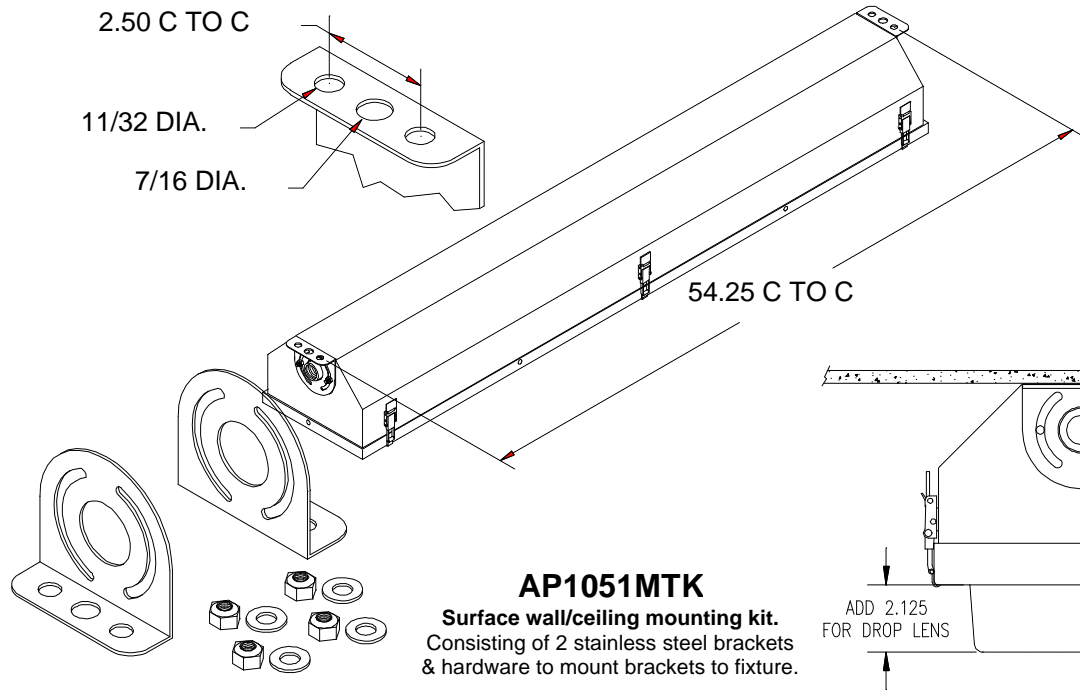
Dimension "E" is for drop style lens. Dimension "F" is for flat style lens.  
Weights shown are for HO models. Deduct 5 lbs. / 2.2 kg. for all other models.

## Standard Mounting (Included with fixture)



# AllPro

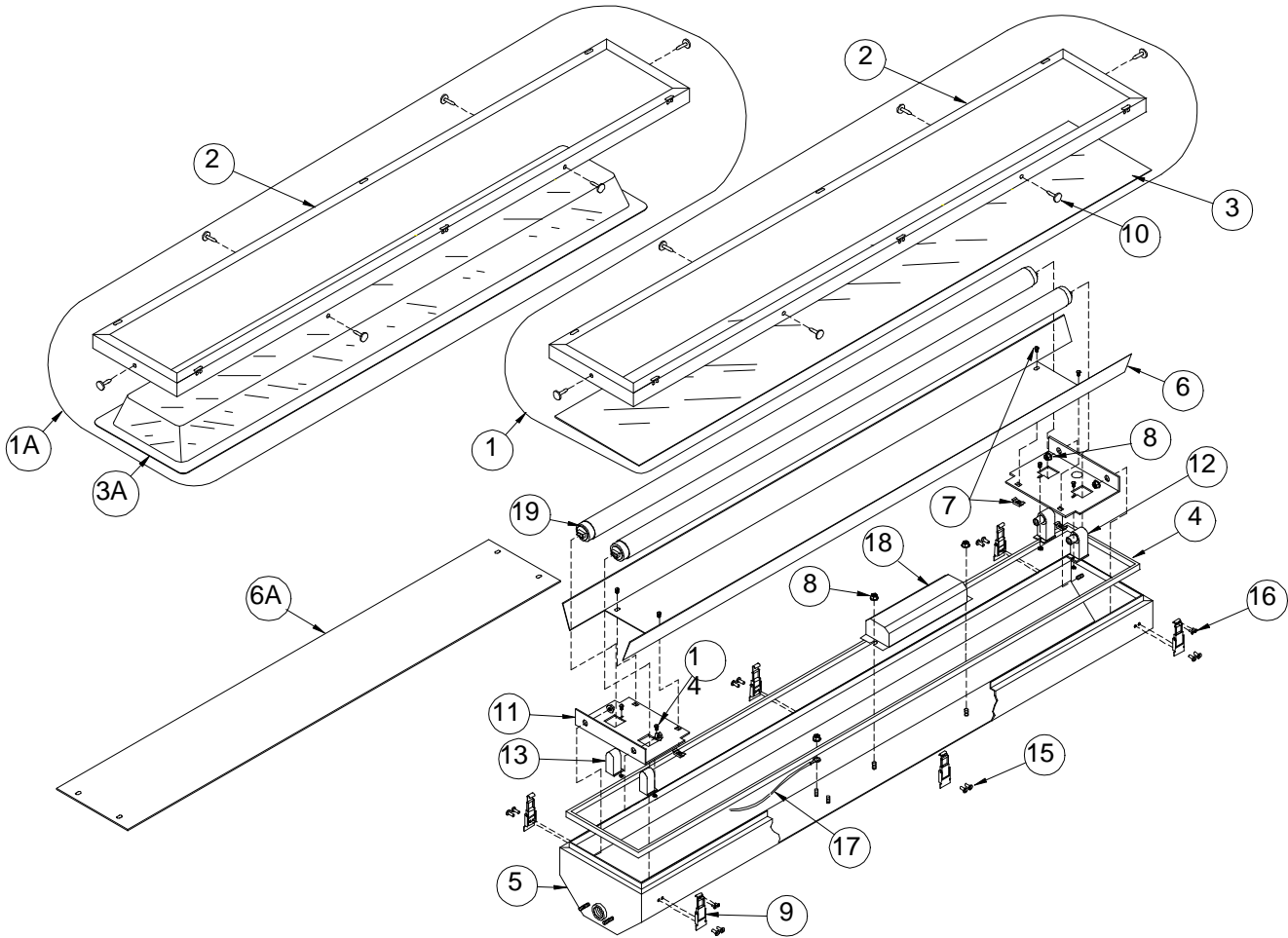
## Optional Mounting Types



**HP1095MTK**  
Hazardous area pendant kit.  
Consists of 1 saddle strap and  
one universal junction box & cover  
(3/4" npt hubs)

# AllPro

## Parts List



Item No.	Part No.	Description	No Req'd	Item No.	Part No.	Description	No Req'd
1	015-4000	Door frame assem. c/w flat lens, 4 ft. model	1	6A*	015-2301	Reflector, drop style for all 2 ft. models	1
1*	015-2000	Door frame assem. c/w flat lens, 2 ft. model	1	7	381-0001	Hardware, reflector mounting for all models	4
1A	015-4001	Door frame assem. c/w drop lens, 4 ft. model	1	8	381-0002	Hardware, socket plate / ballast for all models	1-4
1A*	015-2001	Door frame assem. c/w drop lens, 2 ft. model	1	9	036-0001	Catch, stainless steel for all models	4 or 6
2	015-4010	Door frame without lens and clips, 4 ft model	1	10	036-1000	Lens clips, for all models	4 or 6
2*	015-2010	Door frame without lens and clips, 2 ft model	1	11	015-3028	Plate, socket mount for all HO models	2
3	015-4100	Lens, flat style, polycarbonate, 4 ft. models	1	11*	015-3024	Plate, socket mount for all T8/T12 RS models	2
3*	015-2100	Lens, flat style, polycarbonate, 2 ft. models	1	11*	758-3022	Plate, socket mount for all T5, CF models	2
3*	015-4110	Lens, flat style, tempered glass, 4 ft. models	1	12	758-0701	Socket, RDC, spring loaded for all HO models	2 or 4
3*	015-2110	Lens, flat style, tempered glass, 2 ft. models	1	12*	754-0085	Socket, spring loaded for T5/T8 / T12, RS models	1, 2 or 3
3A	015-4101	Lens, drop style for all 4 ft. models	1	13	758-0700	Socket, RDC, fixed for all HO models	2 or 4
3A*	015-2101	Lens, drop style for all 2 ft. models	1	13*	754-0084	Socket, fixed, for T5/T8 / T12, RS models	1, 2 or 3
4	015-4200	Gasket, neoprene for all 4 ft. models	1	13*	752-6050	Socket, 2G11 type, for all CF models	2, 4, 6 or 8
4*	015-2200	Gasket, neoprene for all 2 ft. models	1	14	312-6833	Mounting hardware, socket all models except CF	2, 4 or 6
5	015-4816	Housing, stainless steel 4 ft. models, feed thru	1	14*	312-6852	Screw, socket mounting for CF models	2, 4, 6 or 8
5*	015-2416	Housing, stainless steel 2 ft. models, feed thru	1	15	036-1001	Rivet, stainless steel, for all models	8 of 12
5*	015-4800	Housing, aluminum 4 ft. models, feed thru	1	16	036-1002	Rivet, catch to door frame	4
5*	015-2400	Housing, aluminum 2 ft. models, feed thru	1	17	381-0005	Ground wire	1
6	015-4300	Reflector, flat style for all 4 ft. models	1	18	Ballast (see ballast chart page for correct type)		1 or 2
6*	015-2300	Reflector, flat style for all 2 ft. models	1	19	Lamps (see lamp chart page for correct type)		2 or 4
6A	015-4301	Reflector, drop style for all 4 ft. models	1				

\* Items not shown on drawing.