

USCG	IMO	BSH
	CE	
12 V 24 V	BAY 15d 	10/25 W

**Series 40 - Traditional and robust Navigation Lights**

**Application**

Application depending on visibilities. See table in technical information.

**Housing**

Polycarbonate black or white, shock resistant, non-corrosive (stainless steel), non-magnetic, seawater resistant.

**Optics**

(Fresnel) plastic, seawater resistant; range of visibility 2 nm (Masthead 3 nm)

**Protection**

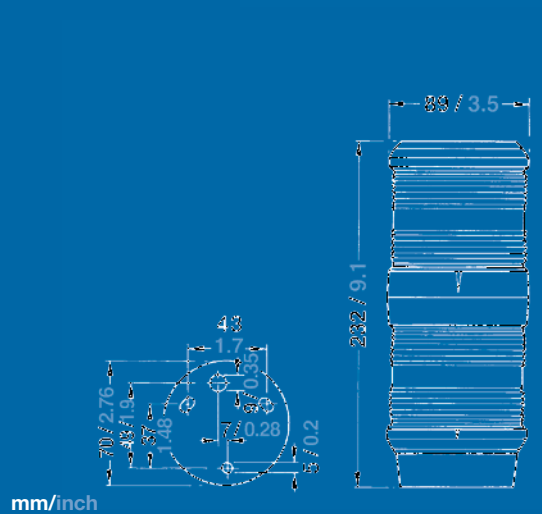
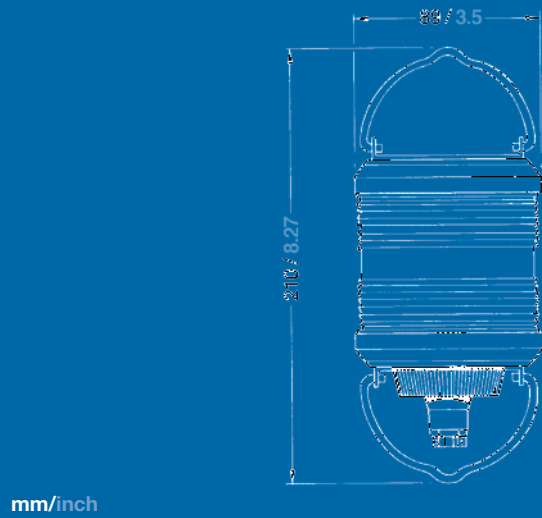
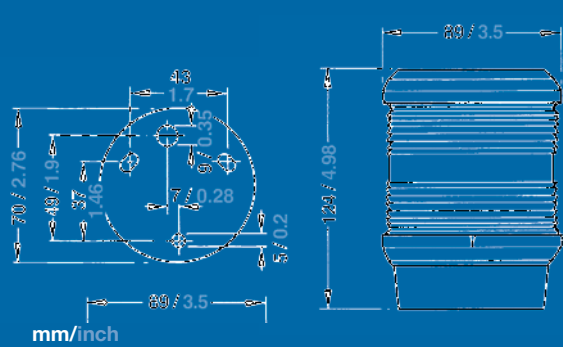
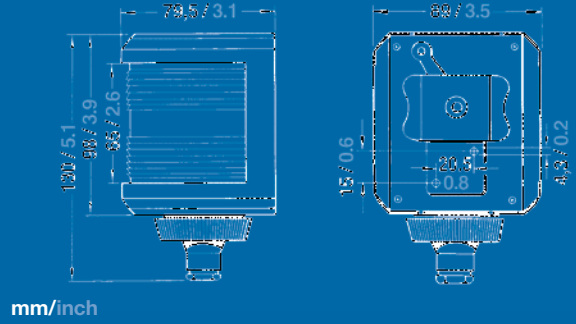
IP56 / IP55

**Electric**

2 wire, cable entry PG 9.

**Mounting**

- (1) vertical mounting bracket
- (2) fixed pedestal mount
- (3) with haylard hooks for hoisting
- (4) fixed pedestal mount



Bulb included		Description	Vessels	Wattage	Visibility	Housing color	12 V	24 V
1	2							
		starboard	< 50 m	25 W	2 nm	black	40200	40220
		port	< 50 m	25 W	2 nm	black	40300	40320
		bicolor	< 20 m	25 W	2 nm	black	40100	40120
		masthead	< 20 m	25 W	3 nm	black	40400	40420
		stern	< 50 m	10 W	2 nm	black	40500	40520
		stern yellow	< 50 m	10 W	2 nm	black	40502	40522
		all-round white	< 50 m	10 W	2 nm	black	40000	40020
		all-round white	< 50 m	10 W	2 nm	white	40001	40021
		all-round red	< 50 m	25 W	2 nm	black	40004	40024
		all-round green	< 50 m	25 W	2 nm	black	40002	40022
		all-round white	< 50 m	10 W	2 nm	black	40800	40820
		all-round red	< 50 m	25 W	2 nm	black	40804	40824
		all-round green	< 50 m	25 W	2 nm	black	40802	40822
		masthead	< 20 m	25 W	3 nm	white	42411	42421
		anchor comb.	< 20 m	10 W	2 nm			

Spare Parts / \*Extras

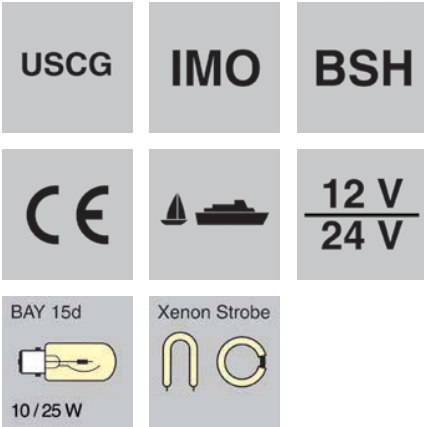
\*40904 (S)  
 \*40901 (S)  
 \*40905 (S)  
 \*40906 † 195 mm / 7.7" (S)  
 \*40903 † 160 mm / 6.3" (S)  
 \*40902 † 160 mm / 6.3" (S)  
 40165

\*40922 (S)   
 \*40923 (S)

\*83514011  
 23514024  
 83514012  
 \*83514002  
 95800155  
 1/4" Pipe adapter  
 \*83506035 (P)

83514012  
 \*40740  
 23514024  
 \*83514002  
 83514019  
 83514016

	Lens	Hoisting Lens	Socket	Bulb
	A	B	C	D
<b>1</b>		40210	-	
		40310	-	
		40110	-	
		40410	-	40160
		40510	-	12V / 10W 90005
		40512	-	
<b>3</b>		40030	83506005	<b>3</b> 40161
<b>3</b>		40035	-	<b>2</b> 90127
<b>3</b>		40035	83506007	24V / 10W 90006
<b>3</b>		83506024	83506009	
<b>4</b>		42410	-	90127



**Series 40 - Sailboat lights and strobe lights - also with aqua signal unique quicfits system for easy dismantling for the purpose of transport and winter storage.**

**Application**

Application depending on visibilities. See table in technical information.

**Housing**

Polycarbonate black, shock resistant, non-corrosive, non-magnetic, seawater resistant.

**Optics**

(Fresnel) plastic, shock resistant, seawater resistant; range of visibility 2 nm (Strobe 3 nm)

**Protection**

IP 55

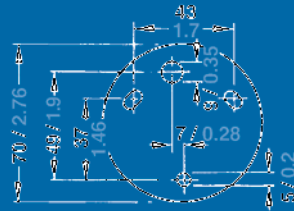
**Electric**

2 / 3 / 4 wire, cable entry PG 9.

**Mounting**

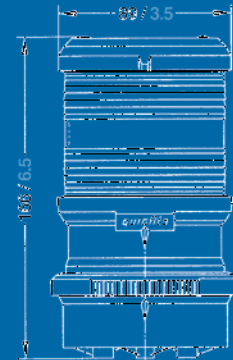
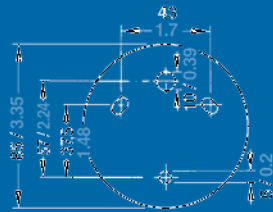
See drawing

1



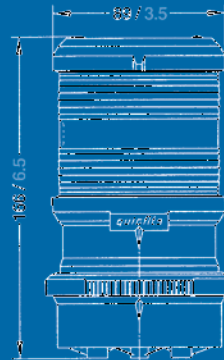
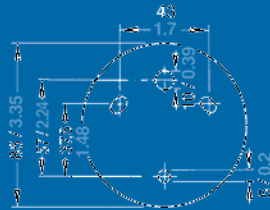
mm/inch

2



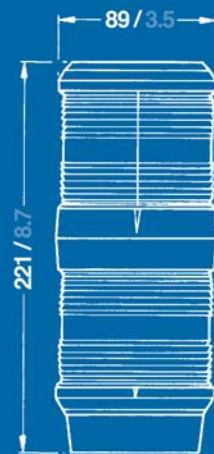
mm/inch

3

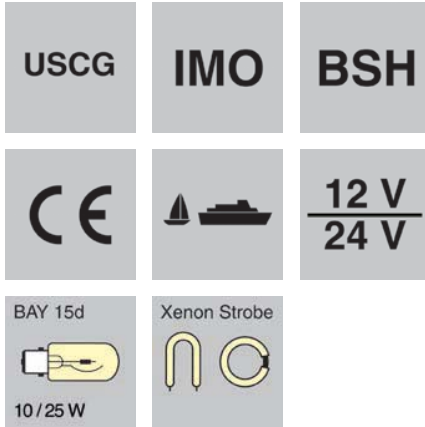


mm/inch

4



mm/inch



**Series 40 - Sailboat lights and strobe lights - also with aqua signal unique quicfits system for easy dismantling for the purpose of transport and winter storage.**

**Application**

Application depending on visibilities.  
See table in technical information.

**Housing**

Polycarbonate black, shock resistant,  
non-corrosive, non-magnetic, seawater  
resistant.

**Optics**

(Fresnel) plastic, shock resistant,  
seawater resistant; range of visibility 2 nm  
(Strobe 3 nm)

**Protection**

IP 55

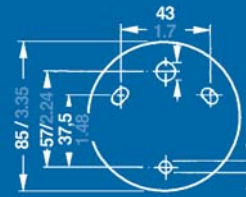
**Electric**

2 / 3 / 4 wire, cable entry PG 9.

**Mounting**

See drawing

5



mm/inch



Bulb included		Description	Vessels	Wattage (Xenon)	Visibility	Housing color	12 V	24 V
1	2							
		tricolor	< 20 m	25 W	2 nm	black	40600	40620
		tricolor, quickfits	< 20 m	25 W	2 nm	black	40606	40626
		strobe, quickfits		(8 Ws)	3 nm	black	40807	40827
		anchor / strobe, quickfits	< 50 m	10 W (8 Ws)	2 nm (flash 3 nm)	black	40808	40828
		tricolor / anchor	< 20 m	25 W 10 W	2 nm	black	40700	40720
		tricolor / anchor, quickfits	< 20 m	25 W 10 W	2 nm	black	40706	40726
		tricolor / anchor, strobe quickfits	< 20 m	25 W 10 W (8Ws)	2 nm	black	40806	40826

Spare Parts / \*Extras

	12 V	24 V
A	25 W 90002	90003
	10 W 90005	90006
B	90127	
C	23545009	
D	8354600	8354600
E	8354600	8354600