

Series 50 - classic stainless steel Navigation Lights.

Application

Application depending on visibility. See User Guide. With * ⚓ * on European inland waterways ∞ m / ft.

Housing

Stainless steel, non-corrosive, nonmagnetic, seawater resistant.

Optics

Plastic, shock resistant, seawater resistant; range of visibility 2 nm (Masthead 3/5 nm)

Electric

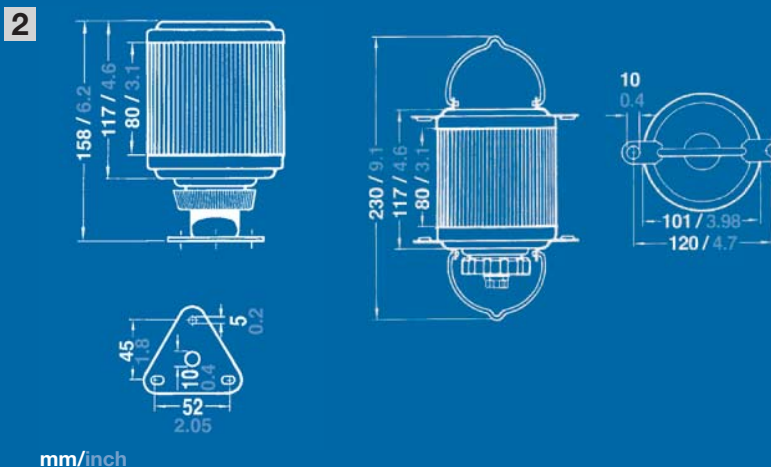
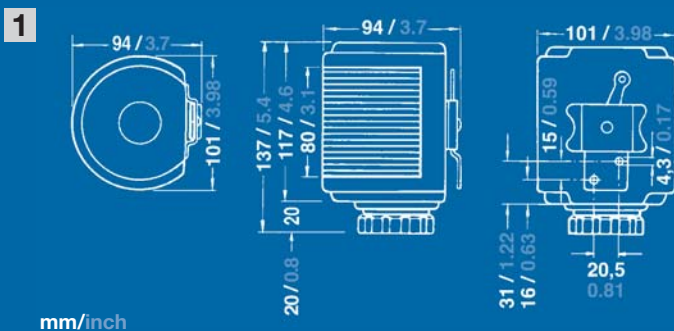
2 wire, cable entry PG 9







Protection

IP 56

Mounting

See drawing.



Bulb included								
Description	Vessels	Wattage	Visibility	☐ ☐		☐		
				12 V	24 V	12 V	24 V	
1	 starboard	< 50	25	2 nm	50200	3036103		
	 port	< 50	25	2 nm	50300	3035203		
	 bicolor	< 20	25	2 nm	50100	3033303		
	 masthead	< 20	25	3 nm	50400	3030003		
	 stern	< 50	10	2 nm	50500	3034003		
2	 all-round white	< 50	10	2 nm	50000	3037013	50800	3037003
	 all-round red	< 50	25	2 nm	50004	3038213	50804	3038203
	 all-round green	< 50	25	2 nm	50002	3039113	50802	3039103
	 all-round yellow	< 50	25	2 nm	3058412	3058413	3058402	33058403

Spare Parts / *Extras

