



- UL/cUL - Class I, Division 2, Groups A, B, C & D
- Type 4X
- Suitable for Wet Locations



## ***DR-Achiever*** ***Aluminum H.I.D. Floodlight***

### **Features:**

- Hazardous location approved - UL/cUL - Class I, Division 2, Groups A, B, C & D.
- Aluminum diecast, with polyester powder coat bronze finished housing and door frame, provides strength and corrosion resistance.
- Semi-specular aluminum reflector.
- High impact clear tempered glass resists thermal shock and is mechanically retained.
- Fully pivoting trunnion and post-top mounting brackets available to meet specific needs.
- Silicone rubber gasket - provides a type 4X watertight, environmental seal.
- Safety cable attachment points for increased safety.
- Stainless steel safety cable available.

### **Applications:**

- Oil drilling rigs
- Power plants
- Pulp and paper mills
- Refineries
- Waste treatment plants
- Surface mining operations
- Chemical plants
- Bulk truck terminals



# DR-Achiever

## Catalog Number Logic

**DR**      **H**      **40** - **8**      **XX**  
 (1)            (2)            (3)            (4)            (5)

**(1) Series – Drilling Rig Achiever “DR”**

Polyester powder coat, die cast aluminum  
 H.I.D. floodlight for all outdoor applications.

**(2) Lamp Type**

S - High Pressure Sodium  
 H - Metal Halide  
 P - Pulse Start Metal Halide

**(3) Lamp Wattage**

25 - 250 watts  
 40 - 400 watts

**(4) Voltage/Frequency**

7- 120/208/240/277 60Hz (Standard)  
 2- 220 volt 50 Hz  
 3- 220 volt 60 Hz  
 6- 480 volt 60 Hz  
 8- 120/277/347 volt 60 Hz

**(5) Options**

P- Pole Mount  
 V- Visor cut-off  
 G- Stainless steel wire guard  
 L- Lamp included

Notes:

1. Lamps are included only with option “L”.
2. Consult factory for any catalog number or options not listed above for price and availability.

## Ordering Guide

Lamp Type	Lamp Wattage	Voltage	Trunnion Mount Catalog Number	Weight lbs. (kg.)
High Pressure Sodium	250	120/277/347	DRS25-8	42 (19.1)
	400		DRS40-8	48 (21.8)
Metal Halide	250		DRH25-8	41 (18.6)
	400		DRH40-8	44 (20.0)
Pulse Start Metal Halide	250		DRP25-8	41
	400		DRP40-8	44

# DR-Achiever

## Certification Guide

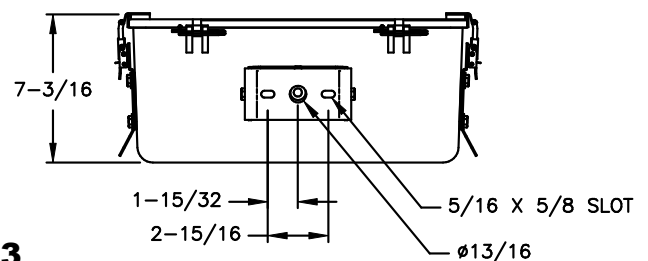
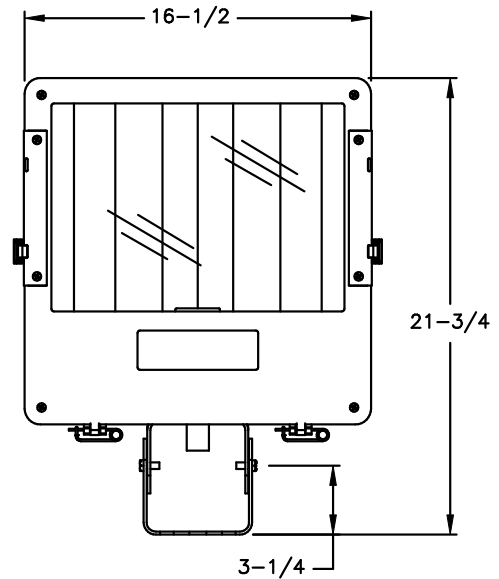
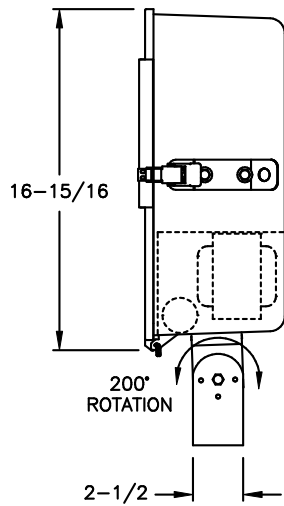
Lamp Type	Watts	Rated Ambient Temp (°C)	CSA Class I Division 2 Groups A, B, C & D	NEMA Type	Supply Wire Temp (°C)
High Pressure Sodium	250 400	40 °C	T1	4X	105 °C
Metal Halide	250 400	40 °C	T1	4X	105 °C

## Mounting Options

Option	Catalog Number	Description
G	DRSWG4	Stainless Steel Wire Guard
P	DRSF4	Pole Mount (For 2" nominal pipe)
V	DRV4	Visor Cut-off
-	SC30H	48" stainless steel safety cable C/W snap hook.

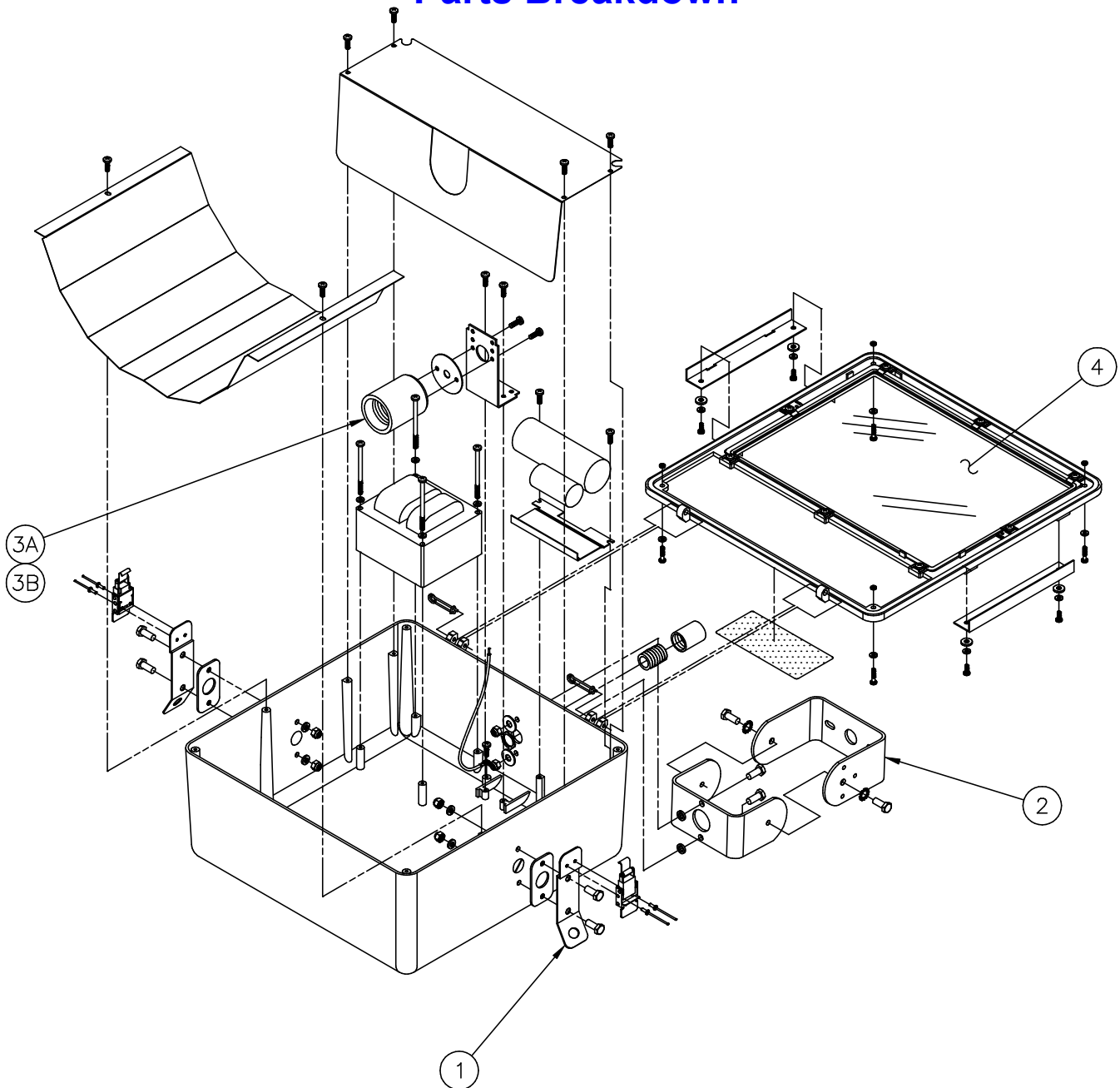
### 250 and 400 Watt Housing

### Dimensions



# DR-Achiever

## Parts Breakdown



ITEM	PART NUMBER	QTY REQ'D	DESCRIPTION	WEIGHT EA. lbs. (kg)
1	DRSC4	2	Safety Cable Bracket	0.05 (0.02)
2	DRTM4	1	Mounting Bracket	2.80 (1.27)
3A	DRMS4P	1	Mogul Socket for HPS	0.80 (0.36)
3B	DRMS4	1	Mogul Socket for Metal Halide	0.70 (0.32)
4	DRTG4	1	Lens	2.75 (1.25)