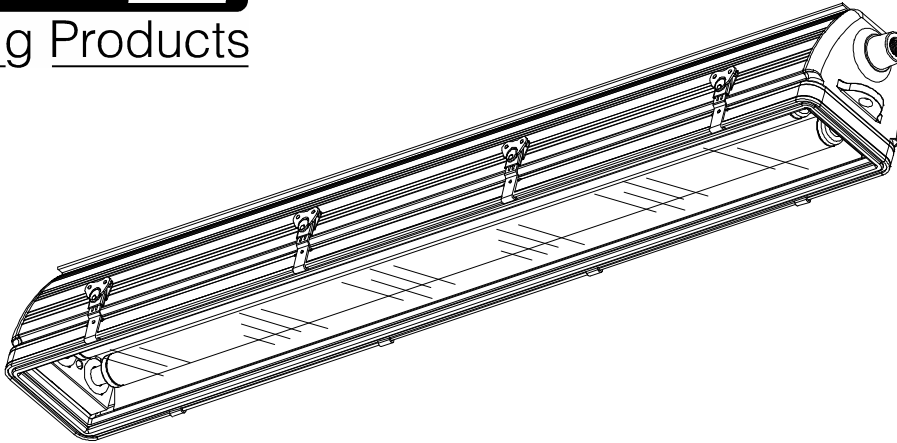




Lighting Products

- UL 844 - Class I Div 2 - Groups A, B, C, & D
- UL 1598A - Outdoor Marine Type (Salt Water)
- CSA - Class I Div 2 - Groups A, B, C, & D
- CSA - Class I Zone 2 - Groups IIA, IIB & IIC
- CSA - Class II Div 2 - Groups F & G
- CSA - Type 4



# DuraPro

## Hazardous Area Fluorescent

### Features:

- Field replaceable lens and gasket lowers cost of ownership (no need to replace entire lens frame).
- Fully integrated safety mounting points at each end.
- Lens door is captive and secured using heavy duty twist draw latches which can be opened without tools.
- Two mounting styles to choose from: end mounting and back mounting.
- Fixture may be mounted horizontally or vertically and rotated up to 270 degrees.
- Heavy duty extruded aluminum housing.
- Parabolic reflector is made of extruded aluminum painted white for maximum durability and consistent light dispersion.
- 2 lamp HO, 800 mA suitable for +40° to -30°C operation allows for use in extreme climates.
- Available in 3 lamp F54T5/HO 5,000 lumen HO lamps.
- Spring loaded sockets for linear lamps dampen harmful vibrations.
- Acrylic lens can withstand constant exposure to sunlight and contact with petroleum based products.
- Neoprene gasket is resistant to petroleum
- Inspection and maintenance of internal components by simply removing 2 screws.
- Ballast secured directly to the housing allows easy internal access for repairs or ballast replacement.
- Standard entry hub is 1/2" NPT thru, 3/4" NPT optional.
- Emergency battery backup available.

### Applications:

- |                           |                             |
|---------------------------|-----------------------------|
| ■ Oil drilling rigs       | ■ Marine loading terminals  |
| ■ Water treatment plants  | ■ Processing plants         |
| ■ Bulk storage facilities | ■ Pipeline pumping stations |
| ■ Lubrication pits        | ■ Paint storage areas       |



# DuraPro

## Catalog Number Logic

**DP4 - 2 1 7 0 Special Options**  
(1) (2) (3) (4) (5) (6)

### (1) Series - DuraPro "DP"

Extruded aluminum housing & door frame, cast end caps & acrylic lens.

**DP2** - 2 foot body

**DP4** - 4 foot body

### (2) Number of Lamps

1 - For 1 lamp

2 - For 2 lamps

3 - For 3 lamps (T5 HO only)

4 - For 4 lamps (4' body CF lamps only)

### (3) Ballast Type

1 - 265 mA, T8 (2ft 17w or 4ft 32w)

(0° F & -18° C starting temp, 50/60Hz electronic ballast)

2 - 270 mA, 2G11 (2ft or 4ft 40w compact fluorescent)

(0° F & -18° C starting temp, 50/60Hz electronic ballast)

4 - 430 mA, T12, RS (4ft 40w)\*

(+50° F & +10° C starting temp, magnetic ballast)

5 - T5, HO, IS (2ft 24w or 4ft 54w)

(0° F & -18° C starting temp, 50/60Hz electronic ballast)

7 - 800 mA, T8, HO (4ft 44w)

(-20° F & -29° C starting temp, electronic ballast)

8 - 800 mA, T12, RS, HO (2ft 35w or 4ft 60w)

(-20° F & -29° C starting temp, magnetic ballast)

### (4) Voltage / Frequency

1 - 120 Volt 60 Hz

2 - 220/250 Volt 50 Hz (T12 HO-UL only)

4 - 240 Volt 60 Hz (consult factory)

5 - 277 Volt 60 Hz

6 - 347 Volt 60 Hz ( cCSAus only)

7 - 120 to 277 Volt 50/60 Hz.(Ballast type 1,2 & 5)

### (5) Mounting Style

0 - End mounting, Pre-2005 design, limited availability

1 - End or back mount design.

### (6) Special Options

**EM1** - Emergency ballast, 700 lumen, cCSAus approved only

**L** - Lamps (Consult factory for available types)

**P** - Polycarbonate lens

### Drilling rig model only:

**R0** -Lamps & DP1050MTK included

**R2** -Lamps & DP1052MTK included

**R3** -Lamps & DP1053MTK included

**R7** -Lamps & DP1057MTK included

### Notes:

\* **Limited availability, consult factory.**

# DuraPro

## Certification Guide

Magnetic ballast approved for 40 degree C ambient Electronic ballast approved for 55 degree C ambient		Class I Div. 2 Groups A, B, C & D		Class I Zone 2 Groups IIA, IIB & IIC		Class II Div. 2 Class III	
Ballast Type	No. of Lamps	Approval	T-Rating	Approval	T-Rating	Approval	Groups
Electronic, 265mA, T8, RS	1 & 2	CSA/UL	T5	CSA	T5	CSA	F & G
Electronic, 270mA, 2G11, RS	2 & 4	CSA	T5	CSA	T5	CSA	F & G
Magnetic, 430mA, T12, RS	1 & 2	CSA/UL	T5	CSA	T5	CSA	F & G
Electronic, HO, T5, IS	1, 2 & 3	CSA/UL	T5	CSA	T5	CSA	F & G
Magnetic, 800mA, T12, HO	1 & 2	CSA/UL	T4A	CSA	T4	CSA	F & G

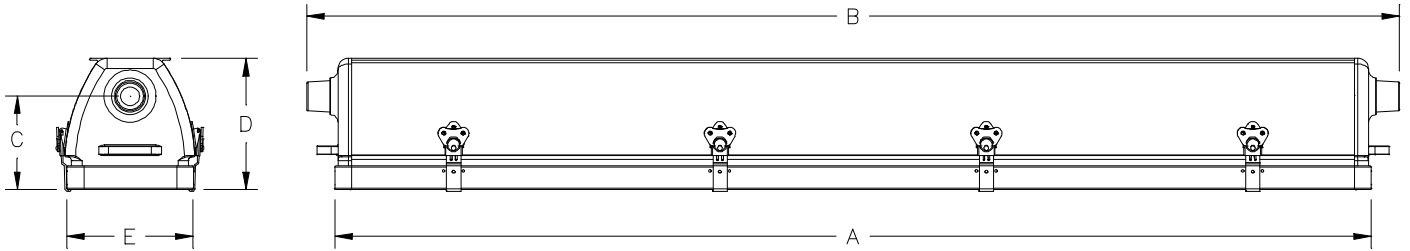
## Ordering Guide

### Standard Models (Lamps & Mounting Brackets Not Included)

Models	Ballast Type	Lamp Type	No. of Lamps	Lamp Lumens	Voltage	Catalog Number
DP2 (2 foot)	Electronic	F17T8	2	2,502	120 to277V 50/60Hz	DP2-2171
		FT40W/2G11	2	4,000		DP2-2571
			3	6,000		DP2-3571
		F24T5HO	2	6,000		DP2-2271
	Magnetic	F24T12/HO	2	2,689	120V – 60Hz	DP2-2811
DP4 (4 foot)	Electronic	F32T8	2	6,962	120 to277V 50/60Hz	DP4-2171
		FT40W/2G11	4	12,600		DP4-4271
			2	10,000		DP4-2571
		F54T5HO	3	15,000		DP4-3571
	Magnetic		F48T12/HO	2	6,885	120V – 60Hz
		DP4-2811				

# DuraPro

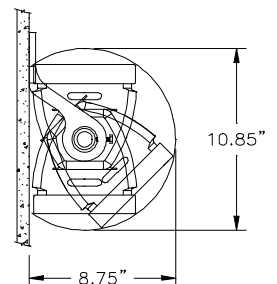
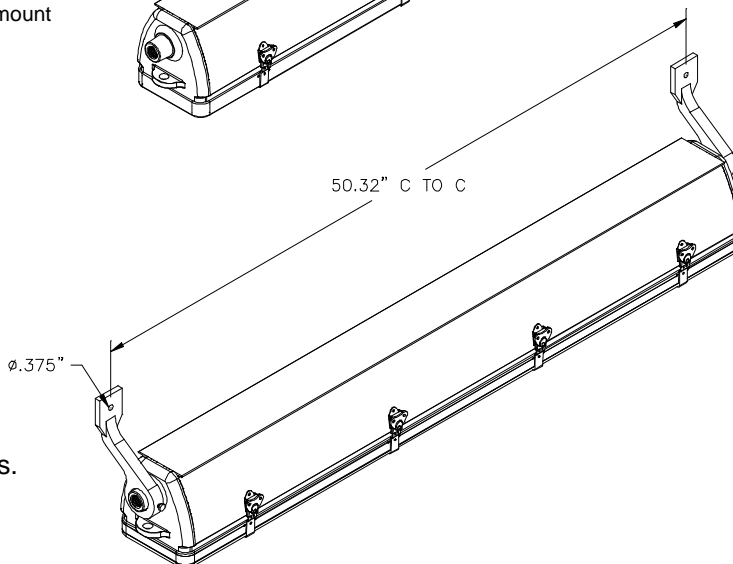
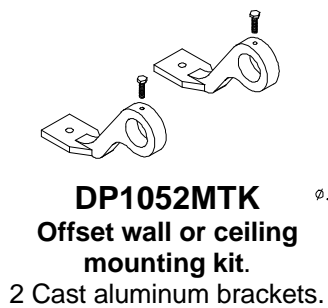
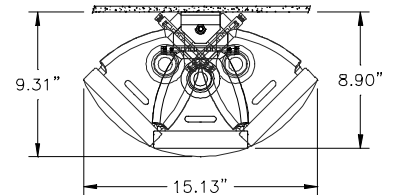
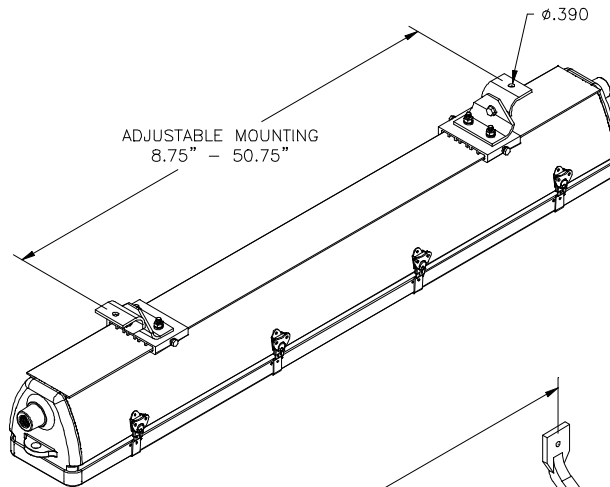
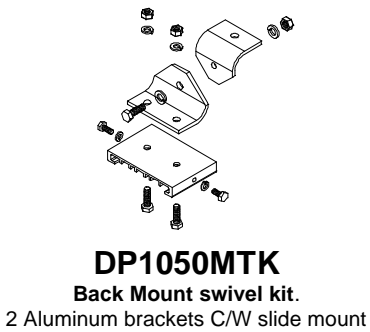
## Dimensions



Nominal Length	Dimensions in Inches / Centimeters					Cubic Size Feet / Meter	Weight lb. / kg
	A	B	C	D	E		
2 Foot	26.0 / 66.0	27.6 / 70.2	4.4 / 11.1	6.3 / 16.0	6.5 / 16.5	0.78 / 0.02	23.0 / 9.64
4 Foot	50.0 / 127.0	51.6 / 131.1	4.4 / 11.1	6.3 / 16.0	6.5 / 16.5	1.55 / 0.04	32.0 / 14.55

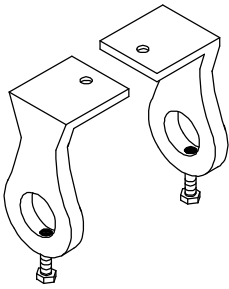
Weights shown are for HO models  
Deduct 5 lbs. / 2.2 kg. for all other ballast types

## Mounting Options

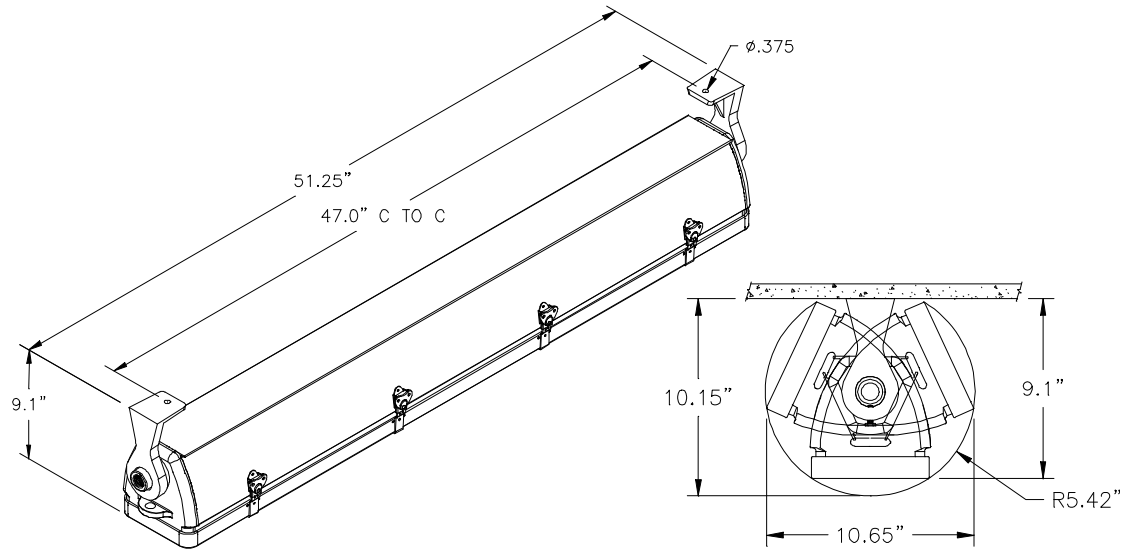


# DuraPro

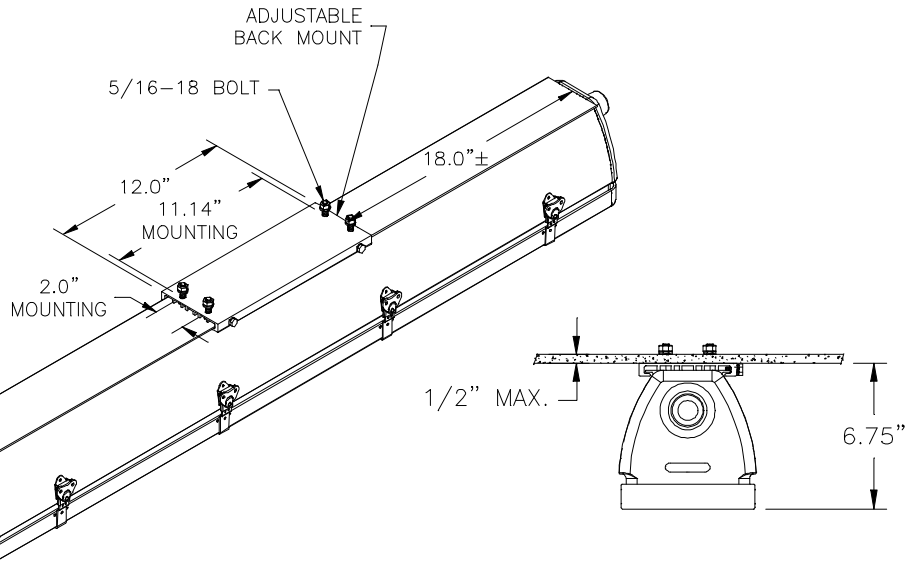
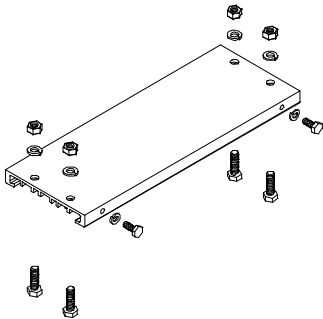
## Mounting Options



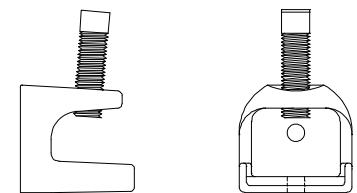
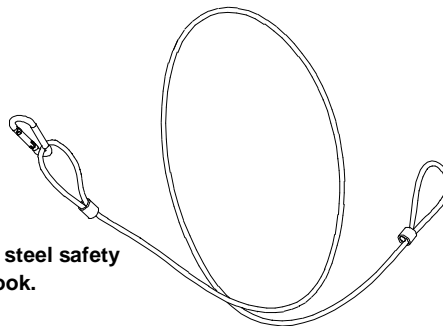
**DP1053MTK**  
Ceiling or wall mounting kit.  
2 Cast aluminum brackets.



**DP1057MTK**  
Fixed Back Mount plate



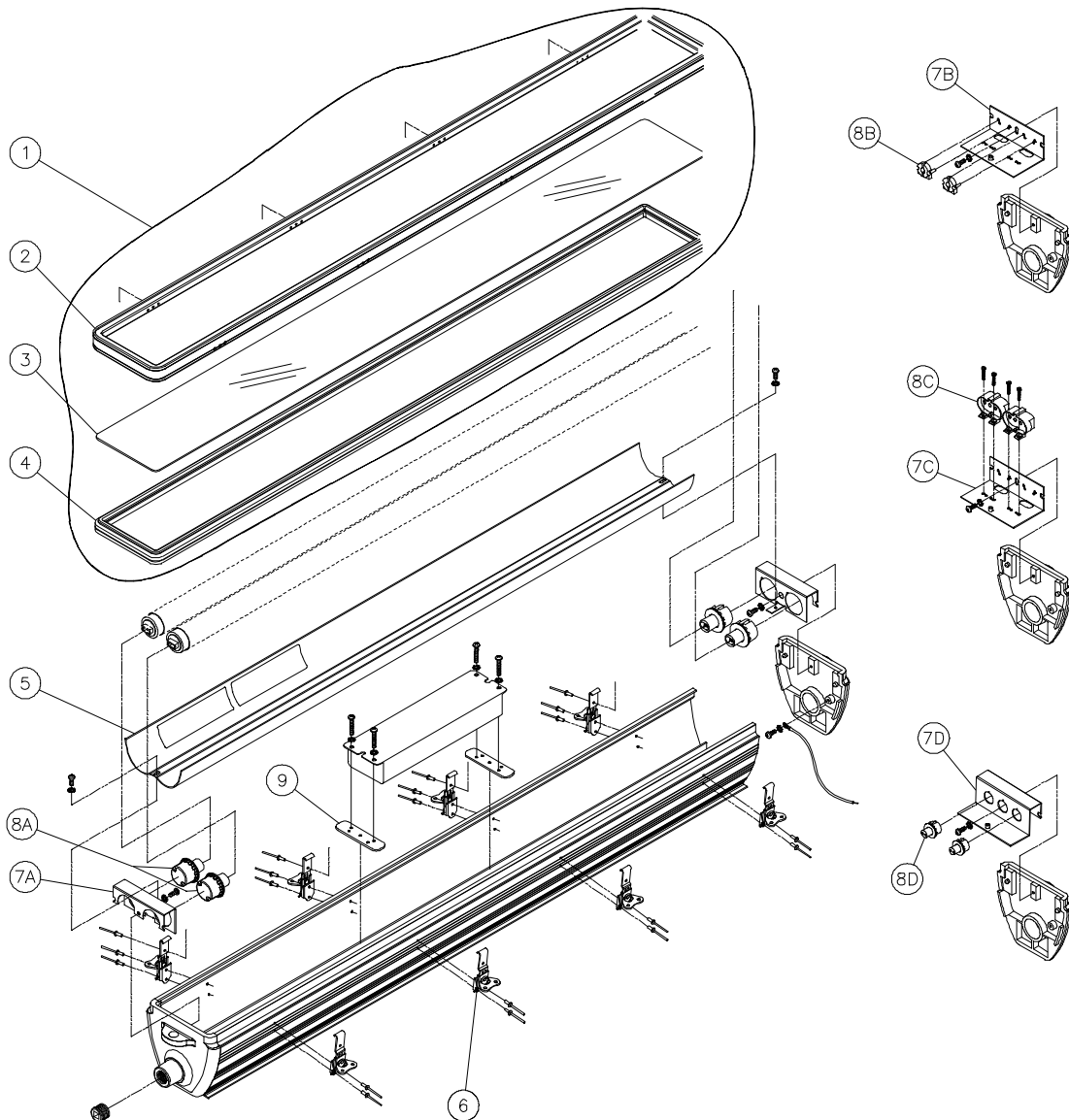
**SC30H - 48" Stainless steel safety cable C/W snap hook.**



**#BC2K**  
Beam clamp kit. (2 pcs.)  
Used with end mounting style brackets

# DuraPro

## Parts List



Description	Part #	Item #	Description	Part #	Item #
2' -Lens & frame assembly	103-2000	1	4' -Lens & frame assembly	103-4000	1
2' Door frame only	103-2001	2	4' -Door frame only	103-4001	2
2' -Lens only (acrylic)	103-2100	3	4' -Lens only (acrylic)	103-4100	3
2' -Lens gasket	103-2200	4	4' -Lens gasket	103-4200	4
2' -Reflector	103-2300	5	4' -Reflector	103-4300	5
Catch/hinge lock assembly	035-1060	6	Ballast straps( 2 required)	103-3000	9
Socket plate T8 & T12 HO	103-0523	7A	Socket HO T8 & T12	758-0523	8A
Socket plate T12/T8	103-7102	7B	Socket 2G11 4 pin	752-6051	8B
Socket plate 2G11	103-7102	7C	Socket T12 & T8 bi-pin	754-7102	8C
Socket plate T5 HO	103-0005	7D	Socket T5 HO fixed & spring set	754-0005	8D