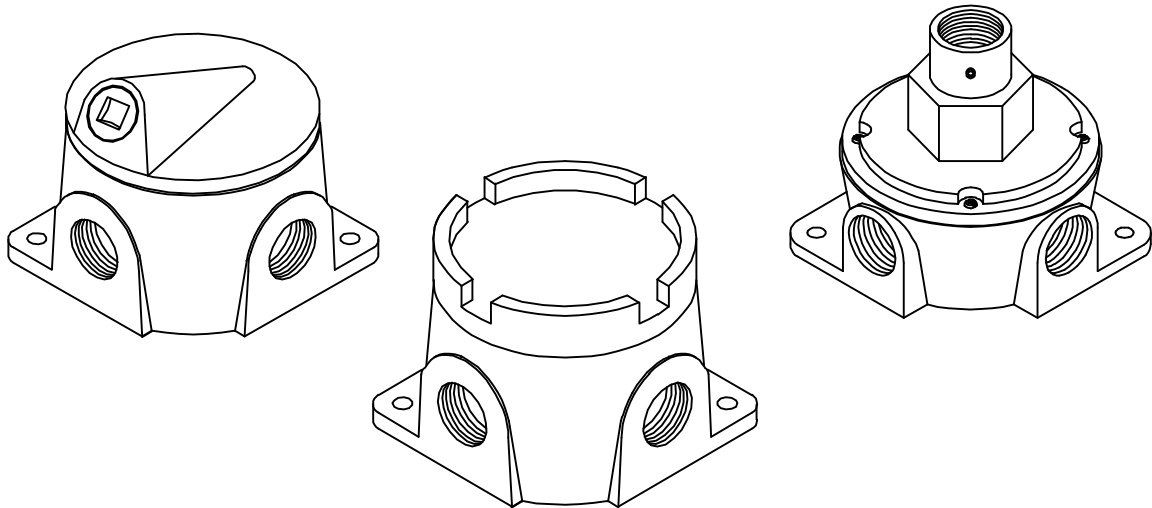




Lighting Products

- CSA - Class I Div. 1 - Groups C & D *
 - CSA - Class I Div. 2 - Groups A, B, C, & D
 - CSA - Class I Zone 1 - Groups IIA, IIB *
 - CSA - Class I Zone 2 - Groups IIA, IIB & IIC
 - CSA - Class II Div. 1 & 2 - Groups E, F & G
 - CSA - Class III
 - CSA - Type 3
 - CSA - Type 4
- * Applies to "GUI" boxes only



Explosion Proof & Hazardous Area Junction Boxes

Features:

- Heavy-duty copper free (below 0.04%) **cast aluminum construction.**
- **Explosion proof** boxes available with **internal or external cover threads.**
- A choice of **three covers offered:** blank, sealing (explosion proof only) and hanger.
- **Hazardous area box** is standard with **screw down cover.**
- All models available with **four standard 1/2" or 3/4" npt. hubs** (5th hub in back optional).
- Models standard with **internal mounting rail** for optional terminal blocks.
- **External mounting feet** for easy installation.
- **Hub height** allows the installation of cable connectors without the use of spacers
- **Cover gasket** allows for the use of the box in watertight or wash-down applications (Type 4).

Applications:

- | | |
|---|--|
| <ul style="list-style-type: none"> ■ Pulp and paper mills ■ Mining facilities ■ Gas processing plants ■ Grain handling facilities | <ul style="list-style-type: none"> ■ Oil drilling rigs (land and offshore) ■ Oil refineries ■ Bulk storage facilities ■ Chemical manufacturing and processing plants |
|---|--|

