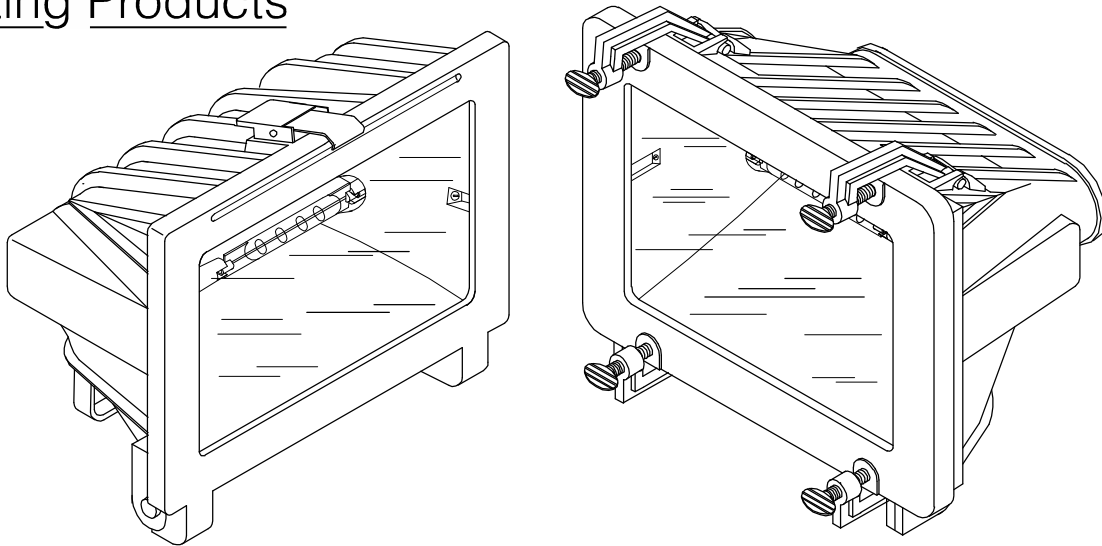




Lighting Products

- CSA - Type 3
- CSA - Type 4
- Enclosed & Gasketed



Q-Achiever

Quartz-halogen Floodlights

Features:

- **Two models** to choose from: single latch or heavy duty "C" clamps designs.
- Two of the most **rugged, durable** quartz-halogen floodlights available.
- Totally **sealed fixture** design for NEMA 4 **water-tite** applications.
- **Corrosion resistance** cast aluminum finned housing for greater heat dissipation.
- **High efficient aluminum reflector** systems.
- QA-C has **separate wire connection box** for ease of wiring.
- **Hinged door** for easy lamp replacement and maintenance.
- Clear **tempered 1/4" glass lens** for maximum impact resistance.
- **Silicone gasket** permanently mounted.
- **Spring loaded sockets** on both models for withstanding vibration.
- **Two mounting styles** available: trunnion and post-top mount.
- Optional **wire guard** available for QA-C model.

Applications:

- **Plant shut-down applications**
- **Marine applications**
- **Oilfield drilling and service rigs**
- **Portable lighting**
- **Emergency evacuation sites**
- **Vehicle accessory lighting**
- **General industrial area lighting**
- **Security lighting**



Q-Achiever

Catalog Number Logic

QA - C 50 1 - T
 (1) (2) (3) (4) (5)

(1) Series: Achiever "QA"

Cast aluminum, watertight, quartz-halogen floodlights.

(2) Model

C - "C" clamp design
 L - Single latch design

(3) Lamp Wattage

50 - 500 watt max.

(4) Voltage / Frequency

1 - 120 Volt, 60 Hz.
 2 - 240 Volt, 50/60 Hz.

(5) Mounting Styles

P - Post-top mount
 T - Trunnion mount

(6) Options

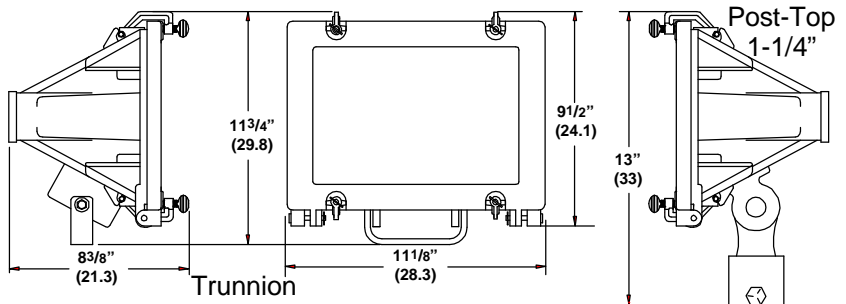
WG - Wire guard (Stainless Steel)

Notes:

- 500-watt lamp is included.
- Not** certified for use indoors.

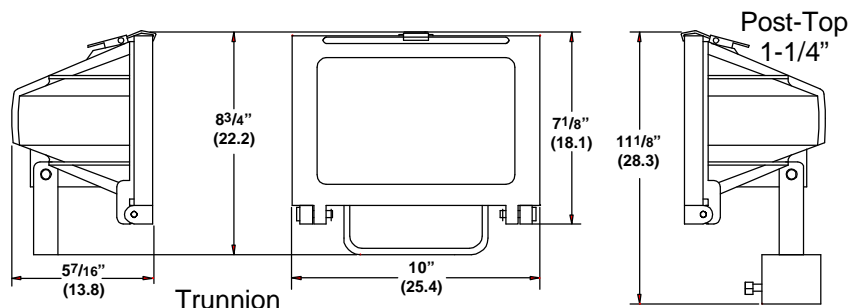
Order Guide

High abuse & Vibration Areas	
QA-C "C" Door Clamp	
Catalog #	Description
QA-C501P	500W, 120V, Post Mount
QA-C502P	500W, 240V, Post Mount
QA-C501T	500W, 120V, Trunnion Mount
QA-C502T	500W, 240V, Trunnion Mount



Weight lbs (kg)	Volume ft3 (m3)
11.5 (5.23)	1.0 (0.0283)

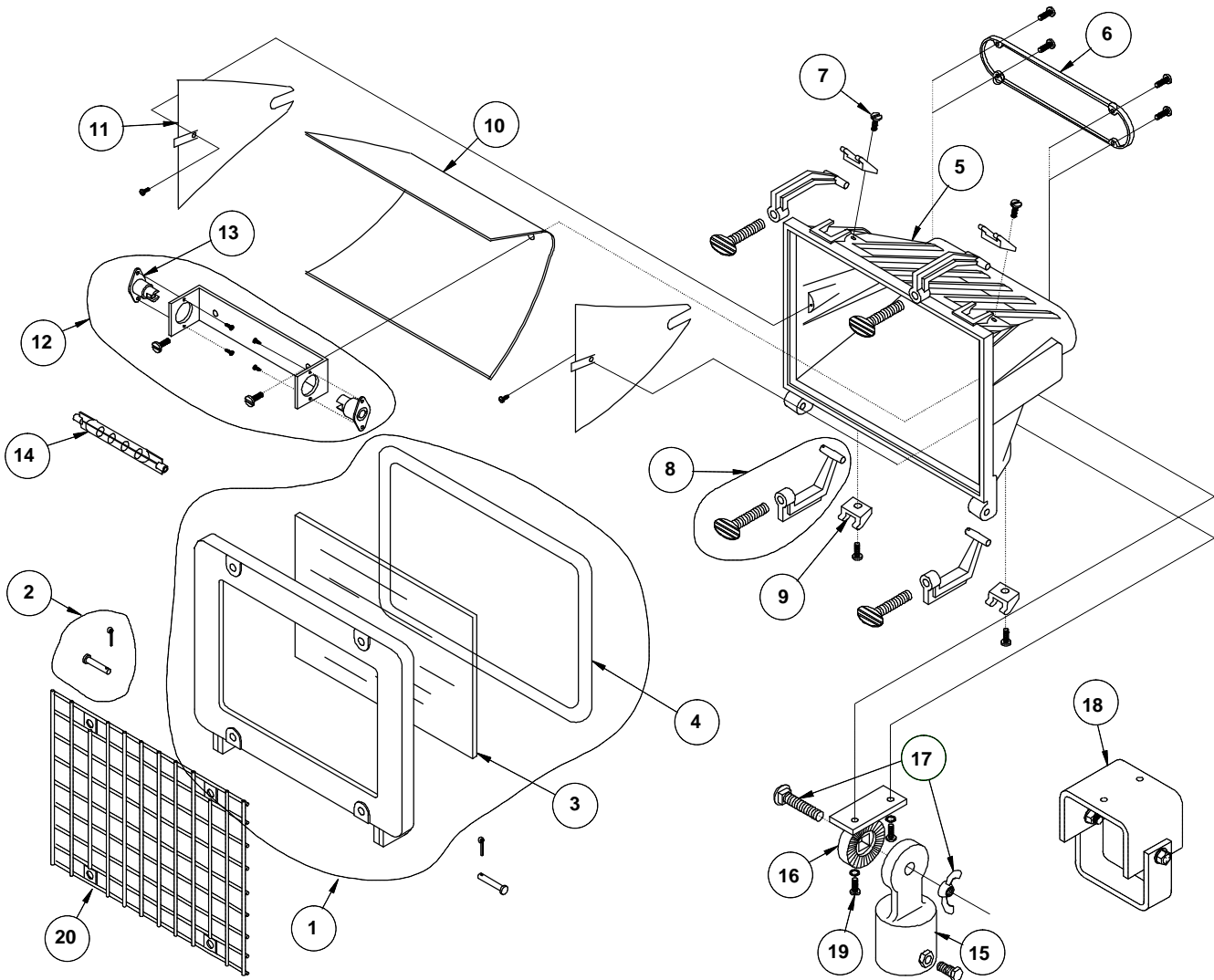
NOT suitable for Vibration Areas	
QA-L Latch Door Clamp	
Catalog #	Description
QA-L501P	500W, 120V, Post Mount
QA-L502P	500W, 240V, Post Mount
QA-L501T	500W, 120V, Trunnion Mount
QA-L502T	500W, 240V, Trunnion Mount



Weight lbs (kg)	Volume ft3 (m3)
8.5 (3.86)	0.5 (0.0142)

Q-Achiever

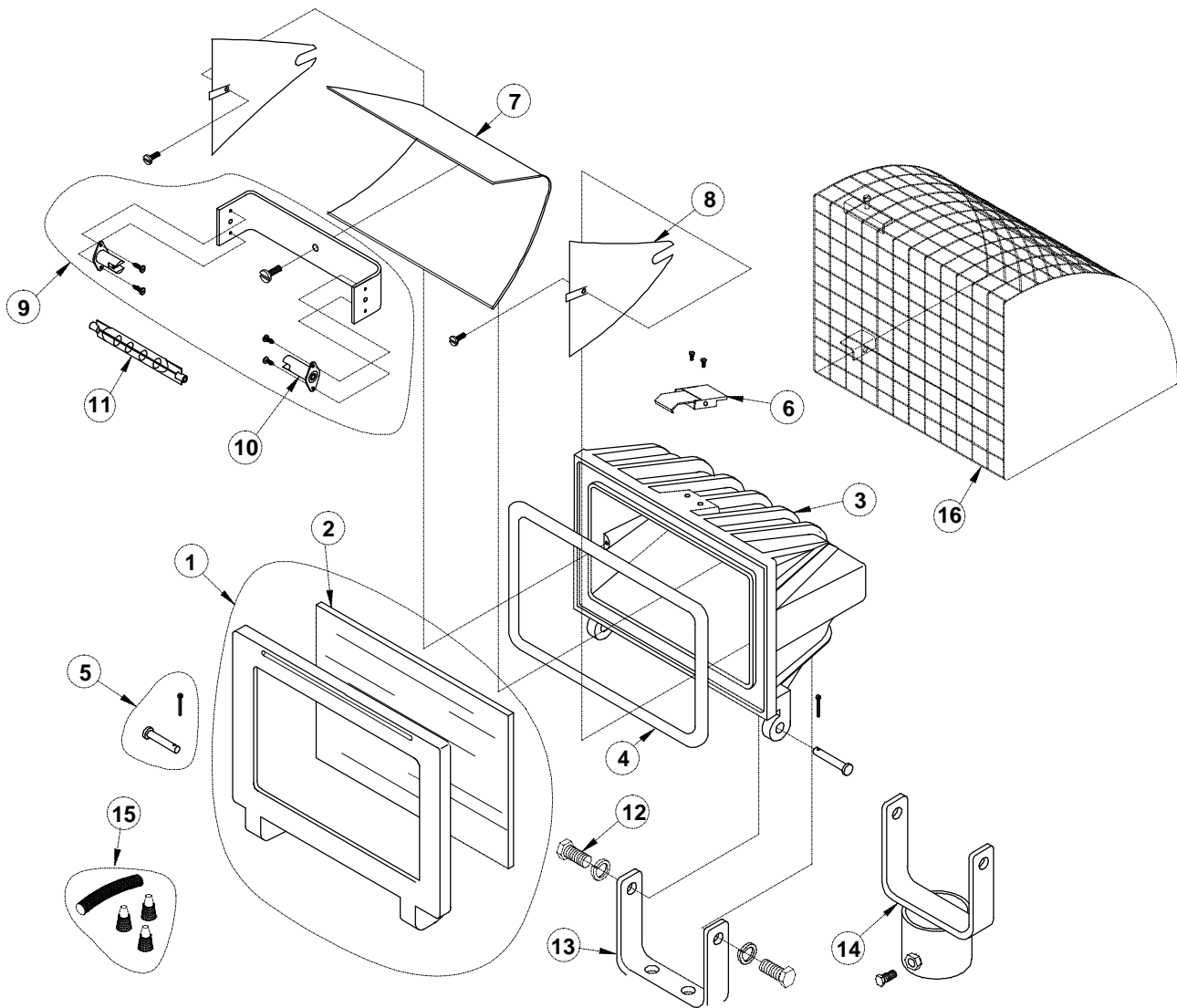
QA-C Parts Breakdown



No.	Qty.	Part No.	Description	Weight lbs. (kg.)	No.	Qty.	Part No.	Description	Weight lbs. (kg.)
1	1	050-0501	Door frame assembly	2.9 (1.3)	11	2	050-3001	Side reflector	0.05 (0.02)
2	2	050-7000	Hinge hardware	0.053 (0.03)	12	1	050-4000	Lampholder assembly	0.31 (0.14)
3	1	050-0100	Tempered glass lens	1.12 (0.54)	13	2	756-0555	Socket for quartz lamp	0.11 (0.05)
4	1	050-2000	Silicone gasket	0.09 (0.04)	14	1	711-0501	Lamp, quartz 500 W, 130 V	0.07 (0.03)
5	1	650-5001	Cast housing	5.0 (2.3)	15	1	500-1055	Post mount bracket	0.77 (0.35)
6	1	050-0500	Junction box cover / gasket	0.42 (0.19)	16	1	500-1051	Ratchet mount	0.29 (0.13)
7	8	301-1003	Screws for cover & keepers	0.11 (0.05)	17	1	500-1063	Bolt c/w wing nut	0.20 (0.09)
8	4	050-5000	"C" clamp / thumb screw	0.18 (0.08)	18	1	500-1056	Trunnion mount assembly	0.97 (0.44)
9	4	050-6000	Keeper for "C" clamp	0.05 (0.02)	19	2	380-5014	Hardware, bracket mount	0.07 (0.03)
10	1	050-3000	Back reflector	0.18 (0.08)	20	1	500-0520	Wire guard, optional	1.19 (0.54)

Q-Achiever

QA-L Parts Breakdown



No.	Qty.	Part No.	Description	Weight lbs. (kg.)	No.	Qty.	Part No.	Description	Weight lbs. (kg.)
1	1	055-0501	Door frame assembly	2.16 (0.98)	9	1	055-4000	Lampholder assembly	0.31 (0.14)
2	1	055-0100	Tempered glass lens	1.19 (0.54)	10	2	756-0305	Socket for quartz lamp	0.11 (0.05)
3	1	655-5001	Cast housing	4.00 (1.82)	11	1	711-0501	Lamp, quartz 500 W, 130 V	0.07 (0.03)
4	1	055-2000	Silicone gasket	0.09 (0.04)	12	2	380-5038	Hardware, bracket mount	0.05 (0.02)
5	2	055-7000	Hinge hardware	0.07 (0.03)	13	1	550-1056	Trunnion mount bracket	0.53 (0.24)
6	1	035-2065	Latch	0.07 (0.03)	14	1	550-1055	Post mount bracket	1.25 (0.57)
7	1	055-3100	Back reflector	0.20 (0.09)	15	1	055-7500	Installation kit	0.07 (0.03)
8	2	055-3001	Side reflector	0.05 (0.02)	16	1	055-0520	Wire guard, optional	2.00 (0.91)

Q-Achiever

Notes: